



# LIGHTING

PROFESSIONAL

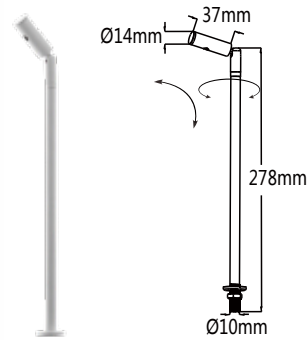


# LED CABINET LIGHT SERIES



Spotlighting design  
 Light spread evenly  
 High CRI, High PF  
 Life-span>35,000 hours  
 Widely used in Jewellery Shop, Toggery, Shopping mall,  
 Museum, Exhibition, Office and etc.

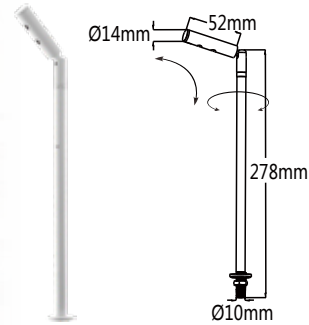
**LBSS-1W-N**



	AC 100-240V 50/60Hz	1W CRI>80	100-120 LM	2800-3200K 4000-5000K 6000-7000K		
--	---------------------------	--------------	---------------	----------------------------------------	--	--



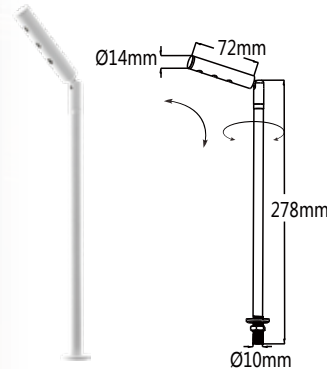
**LBSS-1W-N**



	AC 100-240V 50/60Hz	2W CRI>80	170-180 LM	2800-3200K 4000-5000K 6000-7000K		
--	---------------------------	--------------	---------------	----------------------------------------	--	--



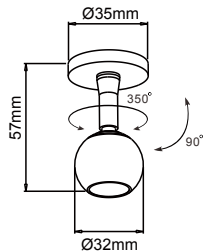
**LBSS-COB-3W-C**



	AC 100-240V 50/60Hz	3W CRI>80	210-240 LM	2800-3200K 4000-5000K 6000-7000K		
--	---------------------------	--------------	---------------	----------------------------------------	--	--

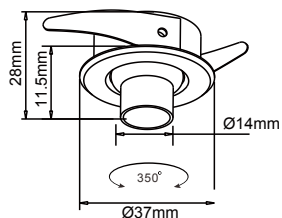


# LED CABINET LIGHT SERIES



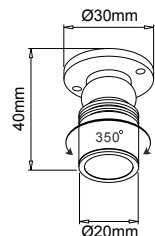
**LBSS-3W-A**

	AC 100-240V 50/60Hz	<b>3W</b> CRI>80	210-240 LM	2800-3200K 4000-5000K 6000-7000K				
--	---------------------------	---------------------	---------------	----------------------------------------	--	--	--	--



**LBSS-3W-B**

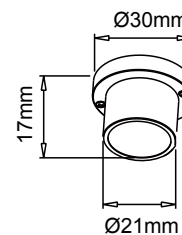
	AC 100-240V 50/60Hz	<b>3W</b> CRI>80	210-240 LM	2800-3200K 4000-5000K 6000-7000K			
--	---------------------------	---------------------	---------------	----------------------------------------	--	--	--



**LBSS-3W-C**

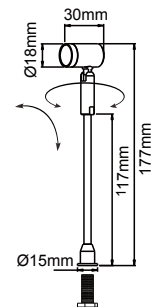
	AC 100-240V 50/60Hz	<b>2W</b> CRI>80	170-180 LM	2800-3200K 4000-5000K 6000-7000K			
--	---------------------------	---------------------	---------------	----------------------------------------	--	--	--

# LED CABINET LIGHT SERIES



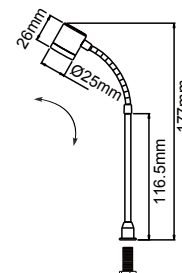
**LBSS-3W-D**

	AC 100-240V 50/60Hz	<b>2W</b> CRI>80	170-180 LM	2800-3200K 4000-5000K 6000-7000K				
--	---------------------------	---------------------	---------------	----------------------------------------	--	--	--	--



**LBSS-3W-E**

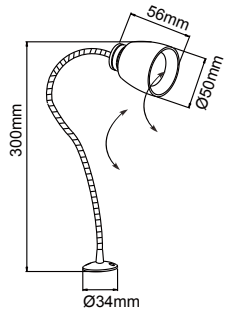
	AC 100-240V 50/60Hz	<b>3W</b> CRI>80	210-240 LM	2800-3200K 4000-5000K 6000-7000K			
--	---------------------------	---------------------	---------------	----------------------------------------	--	--	--



**LBSS-3W-F**

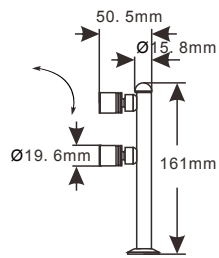
	AC 100-240V 50/60Hz	<b>3W</b> CRI>80	210-240 LM	2800-3200K 4000-5000K 6000-7000K				
--	---------------------------	---------------------	---------------	----------------------------------------	--	--	--	--

# LED CABINET LIGHT SERIES



**LBSS-3W-G**

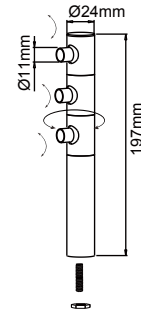
	AC 100-240V 50/60Hz	3W CRI>80	180-240 LM	2800-3200K 4000-5000K 6000-7000K	 10mm	 30°
--	---------------------------	--------------	---------------	----------------------------------------	----------	---------



**LBSS-2W-R**

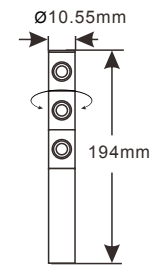
	AC 100-240V 50/60Hz	2W CRI>80	170-180 LM	2800-3200K 4000-5000K 6000-7000K	 10mm	 30°	 45°
--	---------------------------	--------------	---------------	----------------------------------------	----------	---------	---------

# LED CABINET LIGHT SERIES



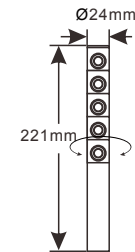
**LBSS-3W-L**

	AC 100-240V 50/60Hz	3W CRI>80	210-240 LM	2800-3200K 4000-5000K 6000-7000K	 10mm	 30°	 45°
--	---------------------------	--------------	---------------	----------------------------------------	----------	---------	---------



**LBSS-3W-LB**

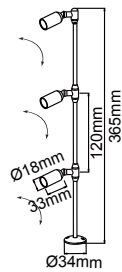
	AC 100-240V 50/60Hz	3W CRI>80	210-240 LM	2800-3200K 4000-5000K 6000-7000K	 10mm	 30°	 45°
--	---------------------------	--------------	---------------	----------------------------------------	----------	---------	---------



**LBSS-5W-L**

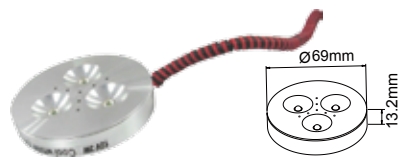
	AC 100-240V 50/60Hz	5W CRI>80	450-600 LM	2800-3200K 4000-5000K 6000-7000K	 10mm	 30°	 45°
--	---------------------------	--------------	---------------	----------------------------------------	----------	---------	---------

**LBSS-3X3W**



	AC 100-240V 50/60Hz	6W CRI>80	420-500 LM	2800-3200K 4000-5000K 6000-7000K	 10mm	 30°	 45°
--	---------------------------	--------------	---------------	----------------------------------------	----------	---------	---------

# LED CABINET LIGHT SERIES



**LDT-301**

	AC 100-240V 50/60Hz	3W CRI>80	210-240 LM	2800-3200K 4000-5000K 6000-7000K	 10mm	 120°
--	---------------------------	--------------	---------------	----------------------------------------	----------	----------



**LBSS-3W-T**

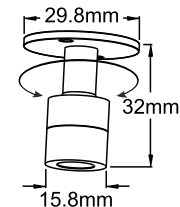
	AC 100-240V 50/60Hz	3W CRI>80	170-180 LM	2800-3200K 4000-5000K 6000-7000K	 35mm	 30°	 45°	 60°
--	---------------------------	--------------	---------------	----------------------------------------	----------	---------	---------	---------



**LBSS-3W-S**

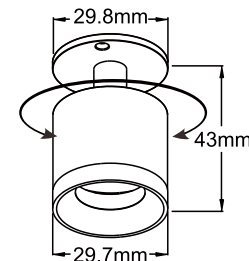
	AC 100-240V 50/60Hz	3W CRI>80	170-180 LM	2800-3200K 4000-5000K 6000-7000K	 25mm	 30°	 45°	 60°
--	---------------------------	--------------	---------------	----------------------------------------	----------	---------	---------	---------

# LED CABINET LIGHT SERIES



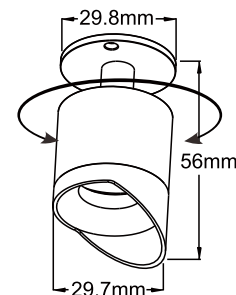
**LBSS-1W-T-MINI**

	AC 100-240V 50/60Hz	1W CRI>80	100-120 LM	2800-3200K 4000-5000K 6000-7000K	 10mm	 30°	 45°
--	---------------------------	--------------	---------------	----------------------------------------	----------	---------	---------



**LBSS-3W-T-A**

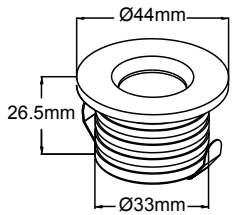
	AC 100-240V 50/60Hz	3W CRI>80	170-180 LM	2800-3200K 4000-5000K 6000-7000K	 10mm	 30°	 45°	 60°
--	---------------------------	--------------	---------------	----------------------------------------	----------	---------	---------	---------



**LBSS-3W-T-B**

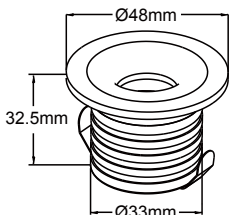
	AC 100-240V 50/60Hz	3W CRI>80	170-180 LM	2800-3200K 4000-5000K 6000-7000K	 10mm	 30°	 45°	 60°
--	---------------------------	--------------	---------------	----------------------------------------	----------	---------	---------	---------

# LED CABINET LIGHT SERIES



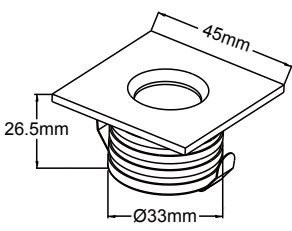
**LBSS-COB-3W-A**

<b>COB</b>	AC 100-240V 50/60Hz	<b>3W</b> CRI>80	<b>210-240</b> LM	2800-3200K 4000-5000K 6000-7000K	35mm	90°
------------	---------------------------	---------------------	----------------------	----------------------------------------	------	-----



**LBSS-COB-3W-B**

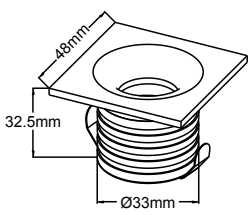
<b>COB</b>	AC 100-240V 50/60Hz	<b>3W</b> CRI>80	<b>210-240</b> LM	2800-3200K 4000-5000K 6000-7000K	35mm	90°
------------	---------------------------	---------------------	----------------------	----------------------------------------	------	-----



**LBSS-COB-3W-C**

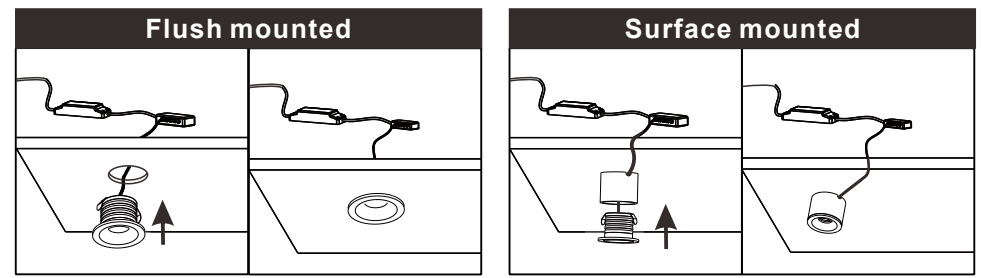
<b>COB</b>	AC 100-240V 50/60Hz	<b>3W</b> CRI>80	<b>210-240</b> LM	2800-3200K 4000-5000K 6000-7000K	35mm	90°
------------	---------------------------	---------------------	----------------------	----------------------------------------	------	-----

# LED CABINET LIGHT SERIES

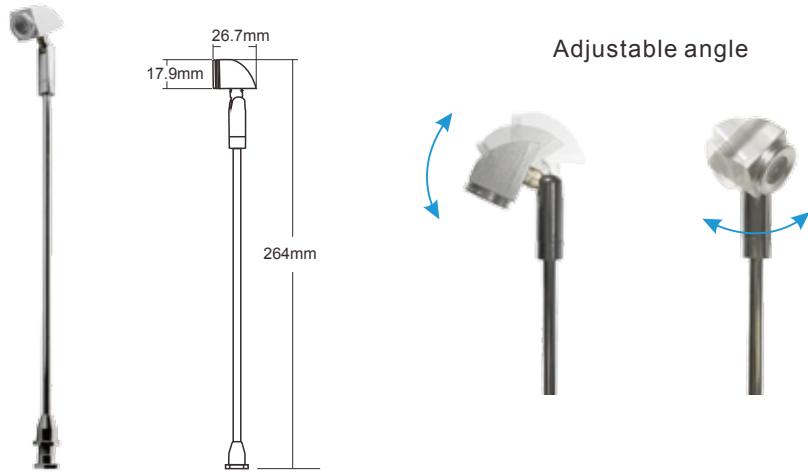


**LBSS-COB-3W-D**

<b>COB</b>	AC 100-240V 50/60Hz	<b>3W</b> CRI>80	<b>210-240</b> LM	2800-3200K 4000-5000K 6000-7000K	35mm	90°
------------	---------------------------	---------------------	----------------------	----------------------------------------	------	-----



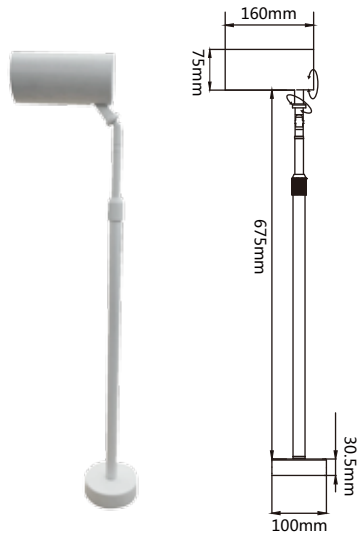
# LED CABINET LIGHT SERIES



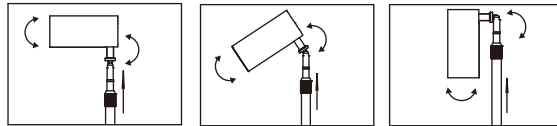
Adjustable angle

LBSS-2W-P

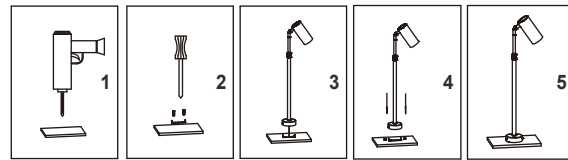
<b>CREE</b>	AC 100-240V 50/60Hz	<b>2W</b> CRI>80	<b>170-180</b> LM	2800-3200K 4000-5000K 6000-7000K	10mm	30°	45°
-------------	---------------------------	---------------------	----------------------	----------------------------------------	------	-----	-----



Multi-angle adjustment



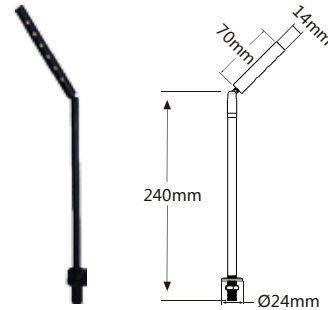
Installation steps



LBS-10W

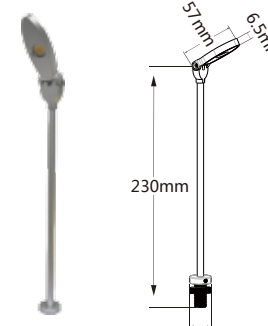
<b>CREE</b>	AC 100-240V 50/60Hz	<b>10W</b> CRI>80	<b>1000</b> LM	2800-3200K 4000-5000K 6000-7000K	30°	45°	60°
-------------	---------------------------	----------------------	-------------------	----------------------------------------	-----	-----	-----

# LED CABINET LIGHT SERIES



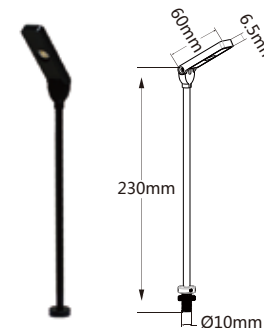
LBSS-4W-N

<b>CREE</b>	AC 100-240V 50/60Hz	<b>4W</b> CRI>80	<b>450-500</b> LM	2800-4000K 4000-6500K	12mm	30°	45°
-------------	---------------------------	---------------------	----------------------	--------------------------	------	-----	-----



LBSS-4W-Q1

<b>CREE</b>	AC 100-240V 50/60Hz	<b>4W</b> CRI>80	<b>360-430</b> LM	2800-4000K 4000-6500K	10mm	30°	45°
-------------	---------------------------	---------------------	----------------------	--------------------------	------	-----	-----

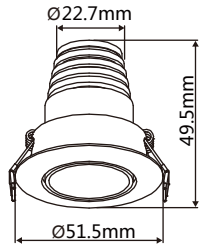


LBSS-4W-Q2

<b>CREE</b>	AC 100-240V 50/60Hz	<b>4W</b> CRI>80	<b>360-430</b> LM	2800-4000K 4000-6500K	10mm	30°	45°
-------------	---------------------------	---------------------	----------------------	--------------------------	------	-----	-----



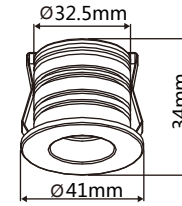
# LED CABINET LIGHT SERIES



**LBSS-3W-101**

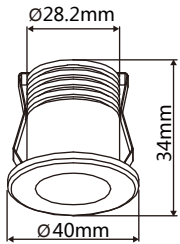
<b>CREE</b>	<b>AC 100-240V</b> 50/60Hz	<b>3W</b> CRI>80	<b>200-280</b> LM	2800-3200K 4000-5000K 6000-7000K	40mm	30°	45°	60°
-------------	-------------------------------	---------------------	----------------------	----------------------------------------	------	-----	-----	-----

# LED CABINET LIGHT SERIES



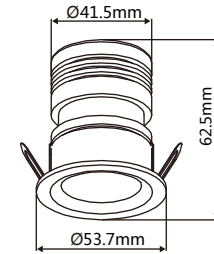
**LBSS-3W-104**

<b>CREE</b>	<b>AC 100-240V</b> 50/60Hz	<b>3W</b> CRI>80	<b>300</b> LM	2800-3200K 4000-5000K 6000-7000K	40mm	30°	45°	60°
-------------	-------------------------------	---------------------	------------------	----------------------------------------	------	-----	-----	-----



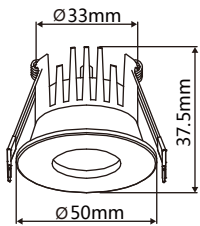
**LBSS-3W-102**

<b>CREE</b>	<b>AC 100-240V</b> 50/60Hz	<b>3W</b> CRI>80	<b>300</b> LM	2800-3200K 4000-5000K 6000-7000K	36mm	30°	45°	60°
-------------	-------------------------------	---------------------	------------------	----------------------------------------	------	-----	-----	-----



**LBSS-5W-A**

<b>CREE</b>	<b>AC 100-240V</b> 50/60Hz	<b>5W</b> CRI>80	<b>450-500</b> LM	2800-3200K 4000-5000K 6000-7000K	42mm	30°	45°	60°
-------------	-------------------------------	---------------------	----------------------	----------------------------------------	------	-----	-----	-----



**LBSS-3W-103**

<b>CREE</b>	<b>AC 100-240V</b> 50/60Hz	<b>3W</b> CRI>80	<b>200-280</b> LM	2800-3200K 4000-5000K 6000-7000K	42mm	30°	45°	60°
-------------	-------------------------------	---------------------	----------------------	----------------------------------------	------	-----	-----	-----





# LED CABINET LIGHT SERIES

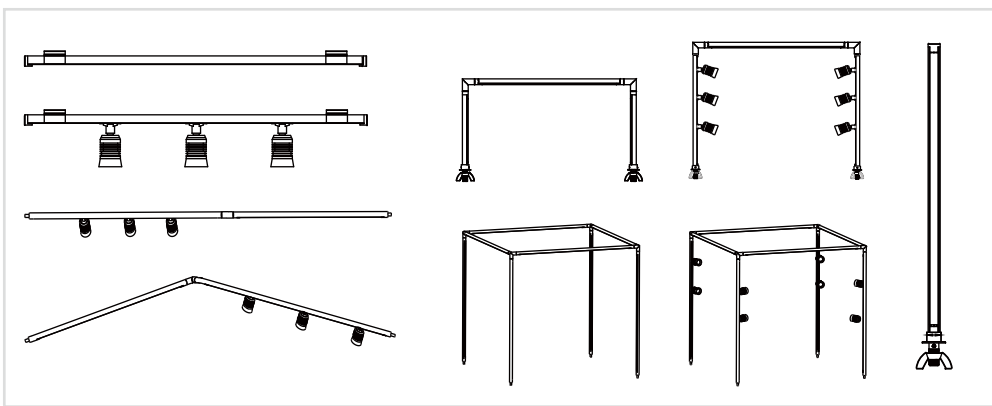


- Constant voltage of DC12V
- Constant voltage of AC/DC24V
- High CRI and high brightness Philips LEDs
- 360° rotatable ,to meet different requirements of illumination angles
- DIY lighting
- Widely used for jewelry, cosmetics, watches, luxuries and counter lighting

## Assembly accessories



## Multiple combinations



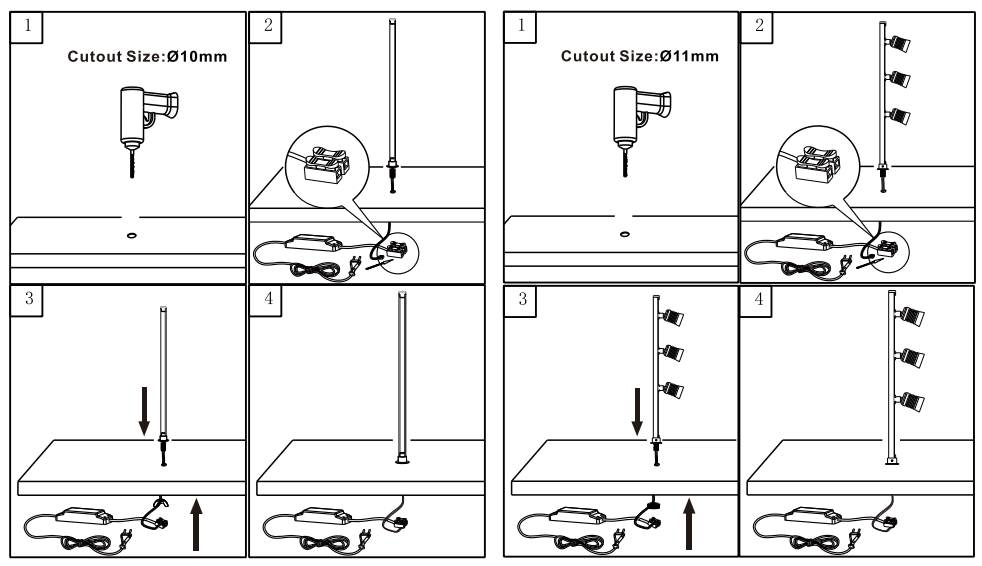
# LED CABINET LIGHT SERIES

## Product parameters



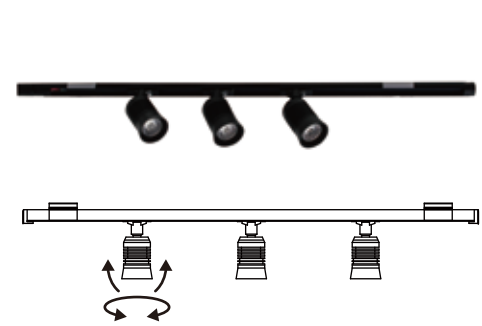
Product Code	Power	Lumen	CCT	Voltage	Length
L-035-300-5W	5 W	670 LM	3000 K / 6000 K	DC 12 V	300 mm
L-035-500-8W	7.5 W	1000 LM	3000 K / 6000 K	DC 12 V	500 mm
L-035-1000-15W	15 W	2000 LM	3000 K / 6000 K	DC 12 V	1000 mm

## Installation steps

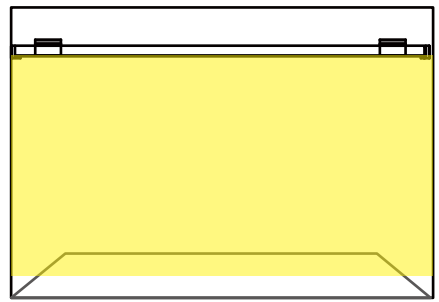


# LED CABINET LIGHT SERIES

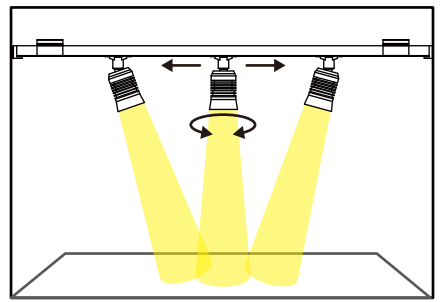
**036-B**  
Lamp holder



## Irradiation range



**Large area irradiation**  
Rotating L-035 to Change the Angle of Illumination



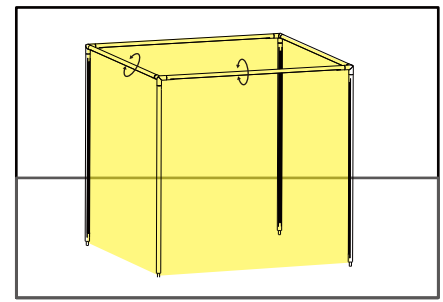
**Multi-angle irradiation**  
Drive or rotate the spotlight to adjust the appropriate angle of illumination

# LED CABINET LIGHT SERIES

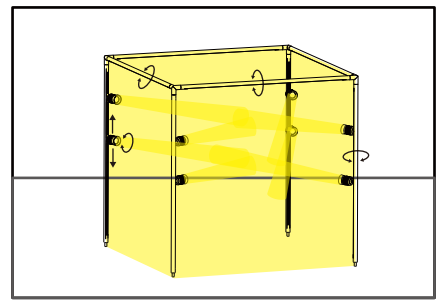
**036-Y**  
Y-type connector



## Irradiation range



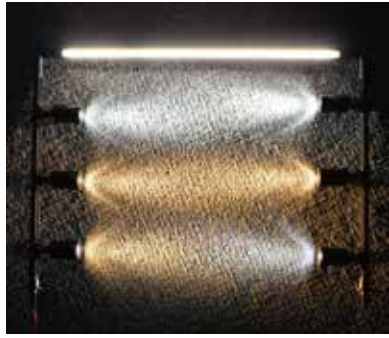
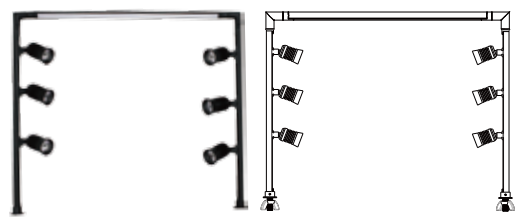
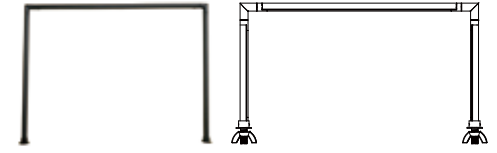
**Large area irradiation**  
Rotating L-035 to Change the Angle of Illumination



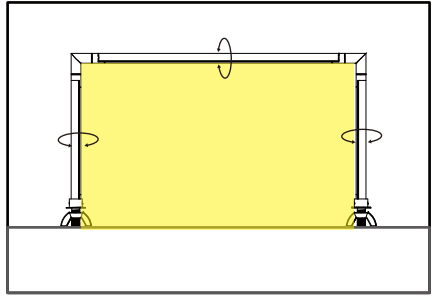
**Multi-angle irradiation**  
Drive or rotate the spotlight to adjust the appropriate angle of illumination

# LED CABINET LIGHT SERIES

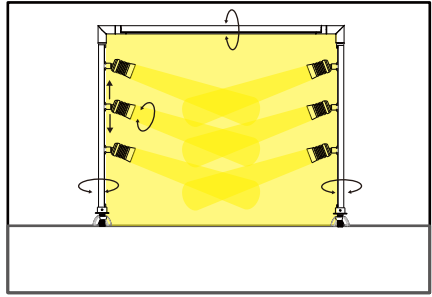
**036-L**  
Right angle connector



## Irradiation range



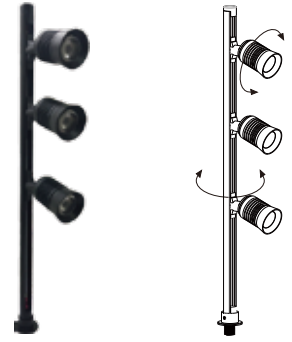
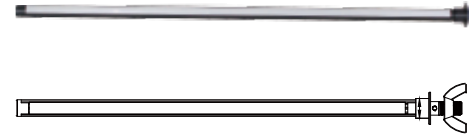
**Large area irradiation**  
Rotating L-035 to Change the Angle of Illumination



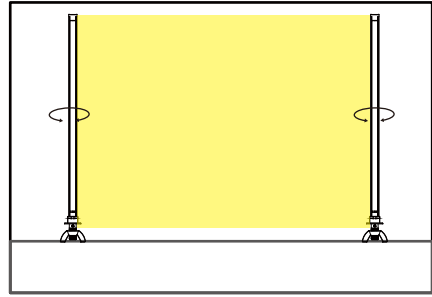
**Multi-angle irradiation**  
Drive or rotate the spotlight to adjust the appropriate angle of illumination

# LED CABINET LIGHT SERIES

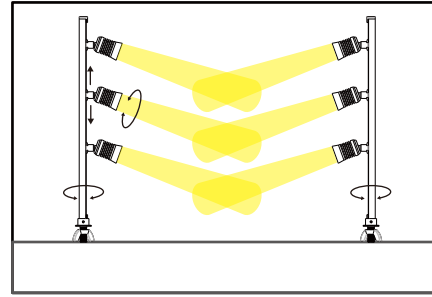
**036-T**  
Lamp base



## Irradiation range



**Large area irradiation**  
Rotating L-035 to Change the Angle of Illumination

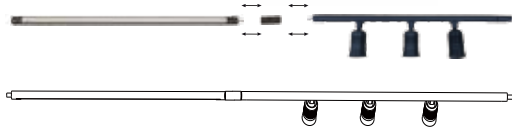


**Multi-angle irradiation**  
Drive or rotate the spotlight to adjust the appropriate angle of illumination

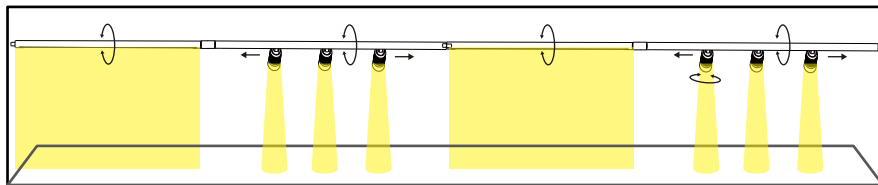
# LED CABINET LIGHT SERIES

036-I

Transverse connector



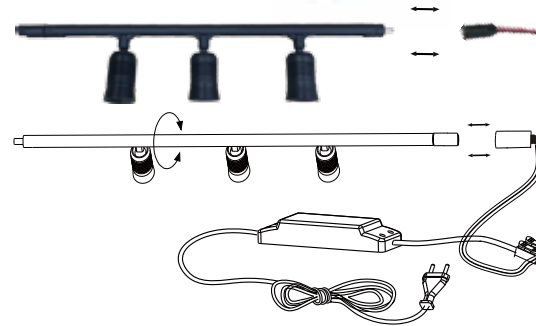
Irradiation range



# LED CABINET LIGHT SERIES

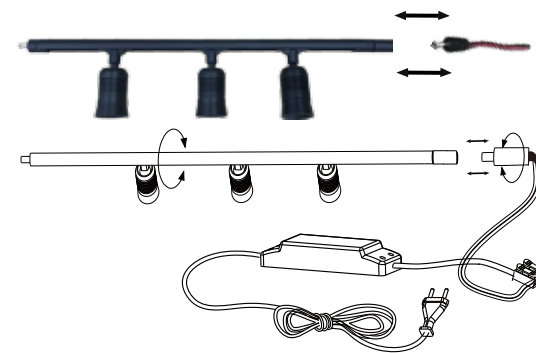
036-O

Power supply head



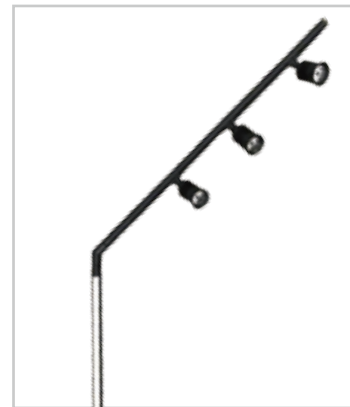
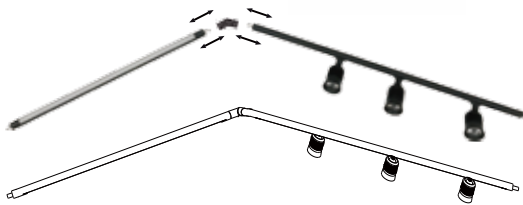
036-P

Power supply head

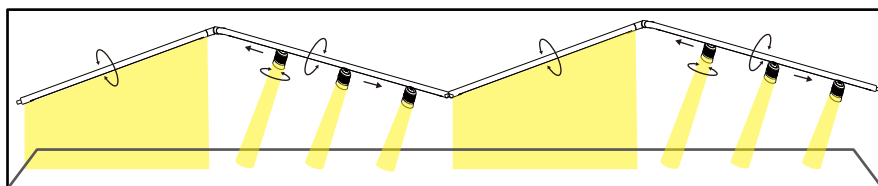


036-J

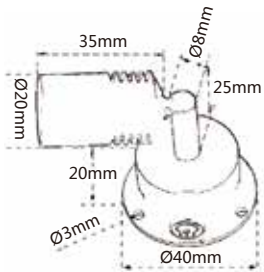
120 Degree Connector



Irradiation range

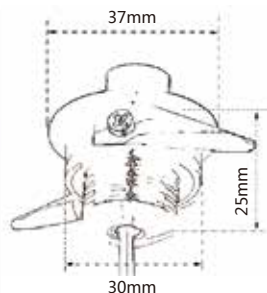


# LED CABINET LIGHT SERIES



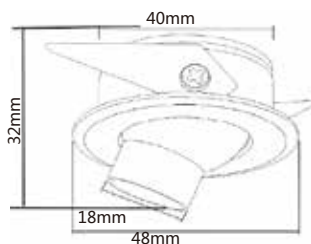
**TR102**

<b>CREE</b>	<b>AC 100-240V</b> 50/60Hz	<b>3W</b> CRI>80	<b>180</b> LM	2700-3000K 4000-5000K	30°	45°	60°
-------------	-------------------------------	---------------------	------------------	--------------------------	-----	-----	-----



**TR106**

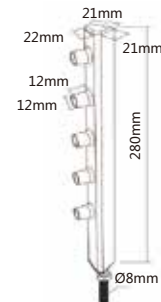
<b>CREE</b>	<b>AC 100-240V</b> 50/60Hz	<b>3W</b> CRI>80	<b>180</b> LM	2700-3000K 4000-5000K	30°	45°	60°
-------------	-------------------------------	---------------------	------------------	--------------------------	-----	-----	-----



**TR107**

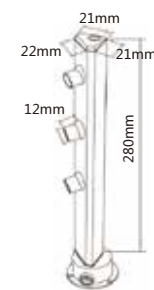
<b>CREE</b>	<b>AC 100-240V</b> 50/60Hz	<b>3W</b> CRI>80	<b>180</b> LM	2700-3000K 4000-5000K	30°	45°	60°
-------------	-------------------------------	---------------------	------------------	--------------------------	-----	-----	-----

# LED CABINET LIGHT SERIES



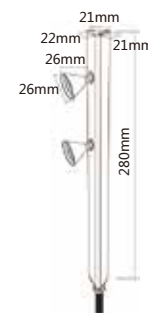
**TR169**

<b>CREE</b>	<b>AC 100-240V</b> 50/60Hz	<b>5W</b> CRI>80	<b>500</b> LM	2000-3000K 4000-5000K	8mm	30°	45°	60°
-------------	-------------------------------	---------------------	------------------	--------------------------	-----	-----	-----	-----



**TR169-12V**

<b>CREE</b>	<b>AC 100-240V</b> 50/60Hz	<b>3W</b> CRI>80	<b>500</b> LM	2700-3000K 4000-5000K	30°	45°	60°
-------------	-------------------------------	---------------------	------------------	--------------------------	-----	-----	-----

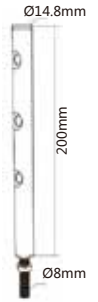


**TR169B**

<b>CREE</b>	<b>AC 100-240V</b> 50/60Hz	<b>2W-7W</b> CRI>80	<b>200</b> LM	2700-3000K 4000-5000K	30°	45°	60°
-------------	-------------------------------	------------------------	------------------	--------------------------	-----	-----	-----

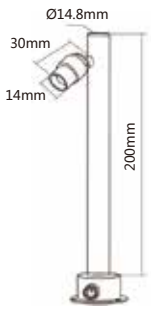
# LED CABINET LIGHT SERIES

# LED CABINET LIGHT SERIES



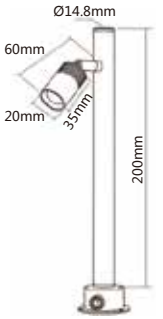
**TR170**

<b>CREE</b>	AC <b>100-240V</b> 50/60Hz	<b>3W</b> CRI>80	<b>300</b> LM	2700-3000K 4000-5000K			
-------------	----------------------------------	---------------------	------------------	--------------------------	--	--	--



**TR171**

<b>CREE</b>	AC <b>100-240V</b> 50/60Hz	<b>1W</b> CRI>80	<b>100</b> LM	2000-3000K 4000-5000K 6000-7000K			
-------------	----------------------------------	---------------------	------------------	----------------------------------------	--	--	--



**TR172**

<b>CREE</b>	AC <b>100-240V</b> 50/60Hz	<b>3W</b> CRI>80	<b>180</b> LM	2700-3000K 4000-5000K			
-------------	----------------------------------	---------------------	------------------	--------------------------	--	--	--



**TR519**

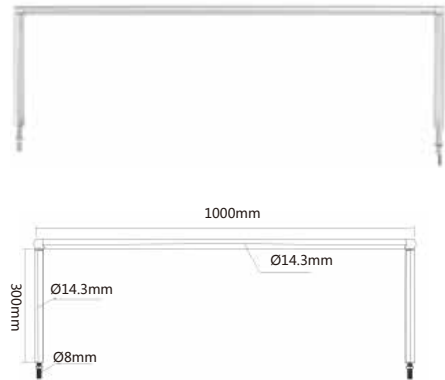
<b>CREE</b>	AC <b>100-240V</b> 50/60Hz	<b>18W</b> CRI>80	<b>1600</b> LM	3000-4000K 6000-8000K		
-------------	----------------------------------	----------------------	-------------------	--------------------------	--	--



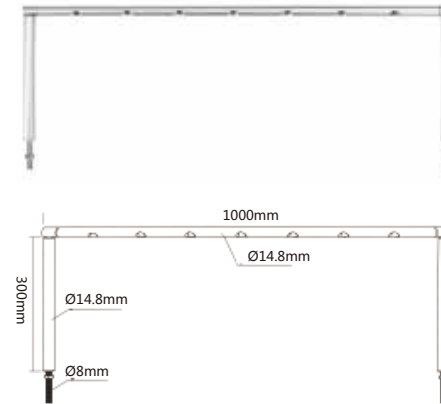
**TR519B**

<b>CREE</b>	AC <b>100-240V</b> 50/60Hz	<b>18W</b> CRI>80	<b>1600</b> LM	3000-4000K 6000-8000K		
-------------	----------------------------------	----------------------	-------------------	--------------------------	--	--

# LED CABINET LIGHT SERIES



# LED CABINET LIGHT SERIES

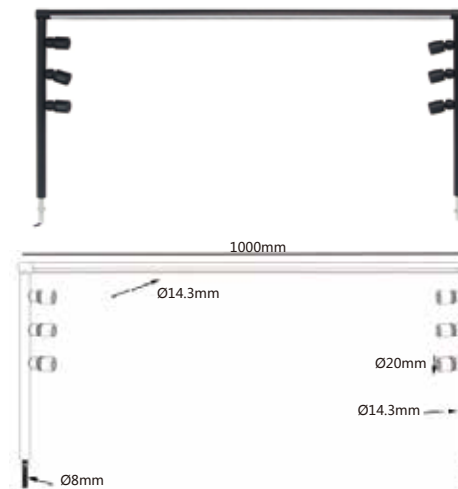
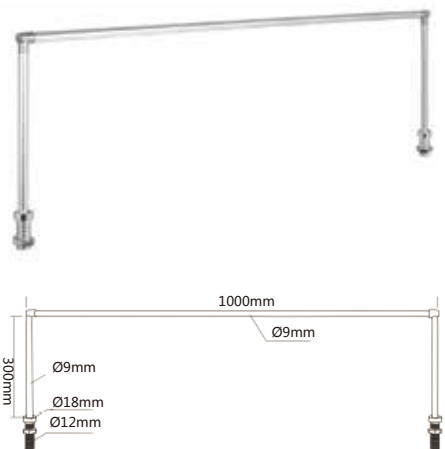


**TR519C**

<b>CREE</b>	<b>AC 100-240V</b> 50/60Hz	<b>18W</b> CRI>80	<b>1600</b> LM	3000-4000K 6000-8000K	8mm	90°
-------------	-------------------------------	----------------------	-------------------	--------------------------	-----	-----

**TR522**

<b>CREE</b>	<b>AC 100-240V</b> 50/60Hz	<b>15W</b> CRI>80	<b>1200</b> LM	3000-4000K 6000-8000K	8mm	45° 60°
-------------	-------------------------------	----------------------	-------------------	--------------------------	-----	---------



**TR521**

<b>CREE</b>	<b>AC 100-240V</b> 50/60Hz	<b>15W-18W</b> CRI>80	<b>1200</b> LM	3000-4000K 6000-8000K	12mm	45°
-------------	-------------------------------	--------------------------	-------------------	--------------------------	------	-----

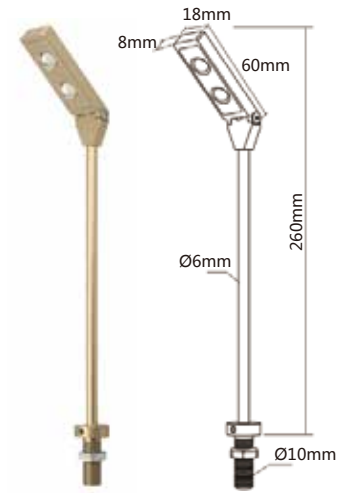
**TR523**

<b>CREE</b>	<b>AC 100-240V</b> 50/60Hz	<b>24W</b> CRI>80	<b>2200</b> LM	3000-4000K 6000-8000K	8mm	25° 120°
-------------	-------------------------------	----------------------	-------------------	--------------------------	-----	----------

# LED CABINET LIGHT SERIES



# LED CABINET LIGHT SERIES

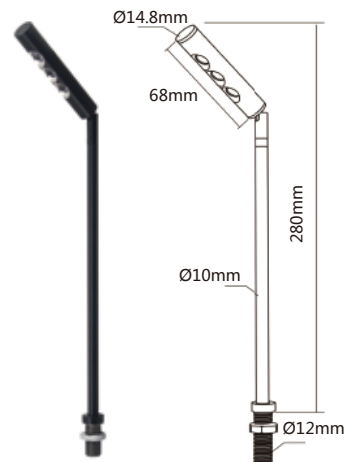
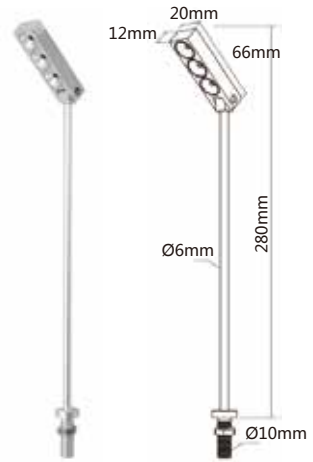


TR532

<b>CREE</b>	AC <b>100-240V</b> 50/60Hz	<b>15W</b> CRI>80	<b>1200</b> LM	3000-4000K 6000-8000K	45°	60°
-------------	----------------------------------	----------------------	-------------------	--------------------------	-----	-----

TR1577

<b>CREE</b>	AC <b>100-240V</b> 50/60Hz	<b>2W</b> CRI>80	<b>200</b> LM	2700-3000K 4000-5000K	10mm	45°	60°
-------------	----------------------------------	---------------------	------------------	--------------------------	------	-----	-----



TR1576

<b>CREE</b>	AC <b>100-240V</b> 50/60Hz	<b>3W</b> CRI>80	<b>300</b> LM	2700-3000K 4000-5000K	10mm	60°
-------------	----------------------------------	---------------------	------------------	--------------------------	------	-----

TR1578

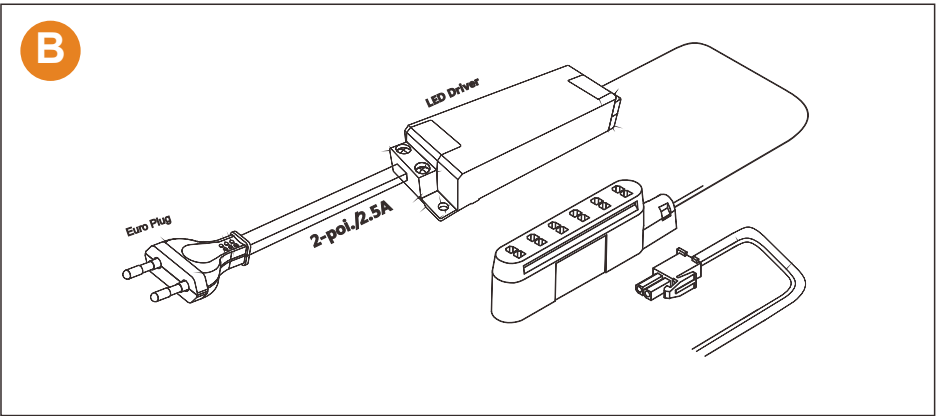
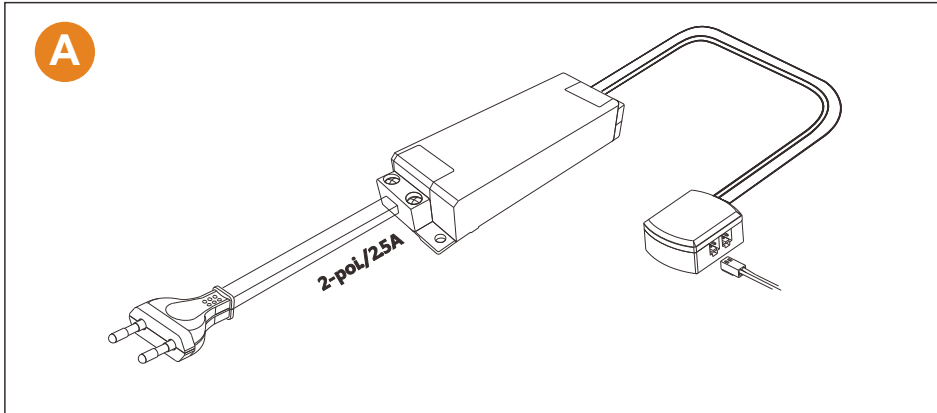
<b>CREE</b>	AC <b>100-240V</b> 50/60Hz	<b>3W</b> CRI>80	<b>300</b> LM	2700-3000K 4000-5000K	12mm	45°	60°
-------------	----------------------------------	---------------------	------------------	--------------------------	------	-----	-----



# LED CABINET LIGHT SERIES

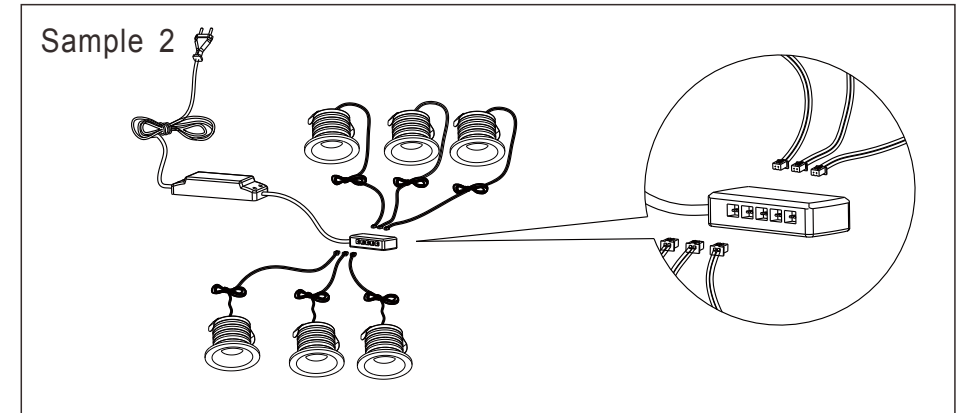
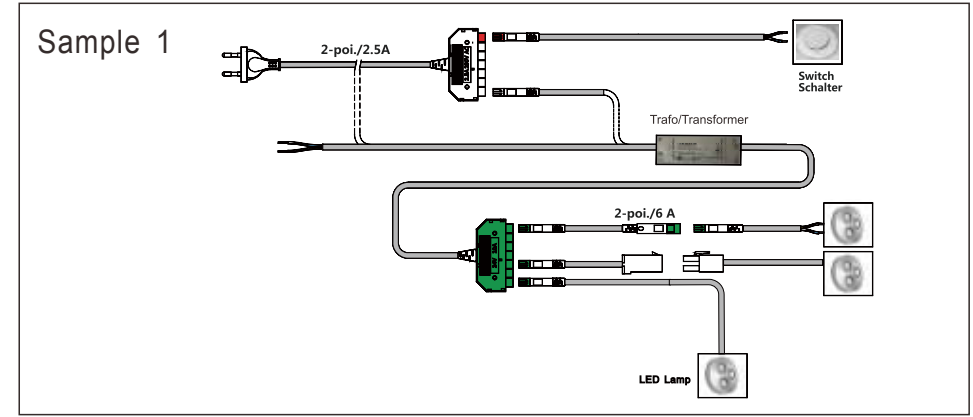
All LED Cabinet lights can be made with one LED driver to drive several lights.

- Difference style connectors available:

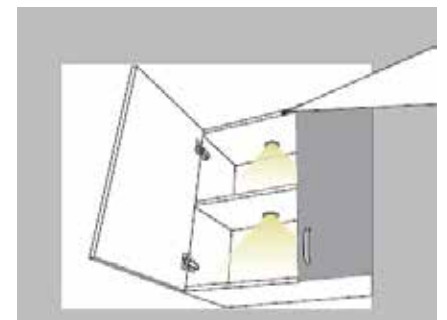
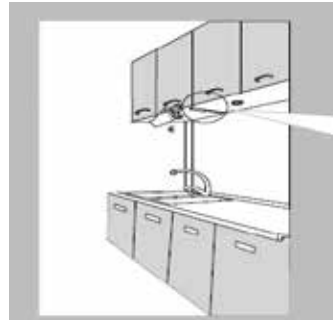


# LED CABINET LIGHT SERIES

- Connect method:



- IR Sensor Switch available:



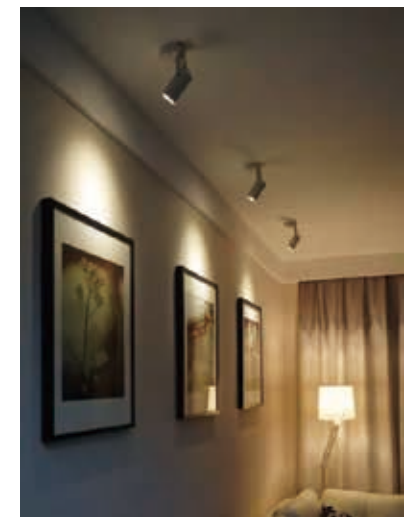
# LED CABINET LIGHT SERIES



**LS-201-1**

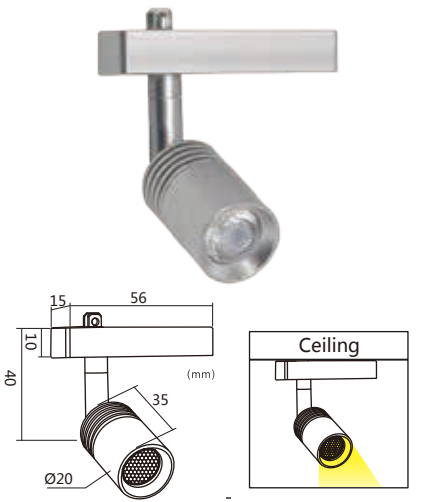
<b>OSRAM</b>	<b>DC 12/24V</b>	<b>1W CRI&gt;80</b>	<b>100-120 LM</b>	3000/4000K 6000/8000K	10°	25°	45°	60°
--------------	------------------	---------------------	-------------------	--------------------------	-----	-----	-----	-----

# LED CABINET LIGHT SERIES



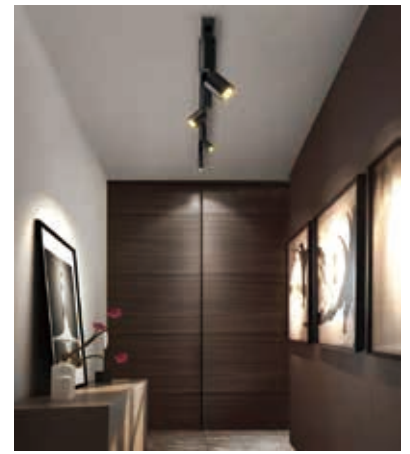
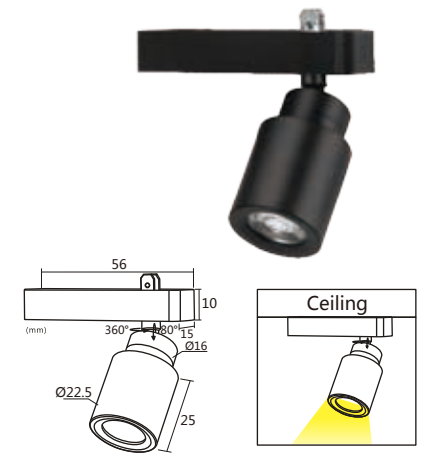
**LS-201-3**

<b>OSRAM</b>	<b>DC 12/24V</b>	<b>3W CRI&gt;80</b>	<b>300-390 LM</b>	3000/4000K 6000/8000K	15°	30°	60°
--------------	------------------	---------------------	-------------------	--------------------------	-----	-----	-----



**LS-201-2**

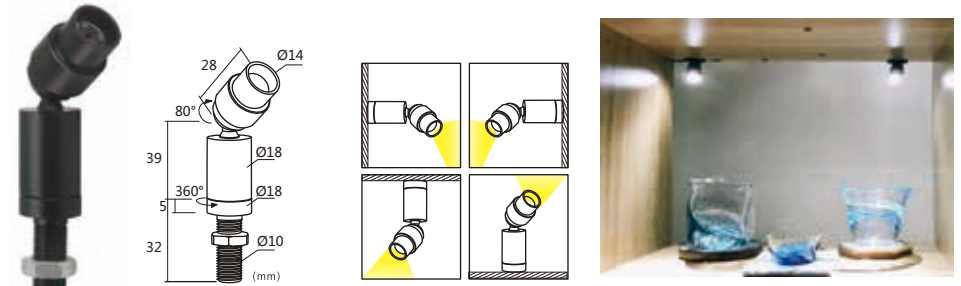
<b>OSRAM</b>	<b>DC 12/24V</b>	<b>2W CRI&gt;80</b>	<b>120-180 LM</b>	3000/4000K 6000/8000K	10°	25°	45°	60°
--------------	------------------	---------------------	-------------------	--------------------------	-----	-----	-----	-----



**TR523**

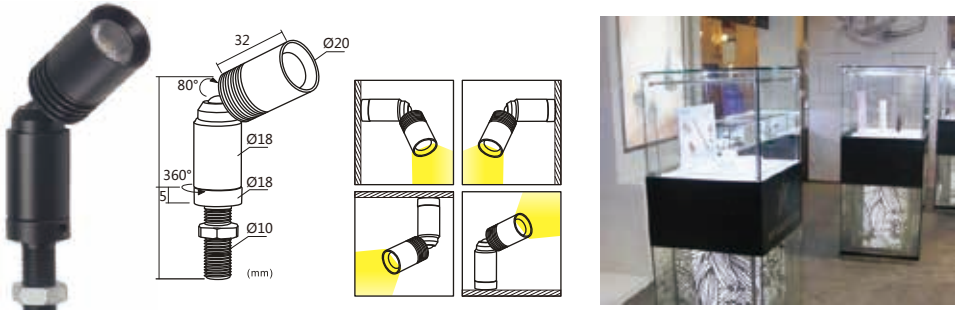
<b>OSRAM</b>	<b>DC 12/24V</b>	<b>3W CRI&gt;80</b>	<b>120-200 LM</b>	3000/4000K 6000/8000K	8-60°
--------------	------------------	---------------------	-------------------	--------------------------	-------

# LED CABINET LIGHT SERIES



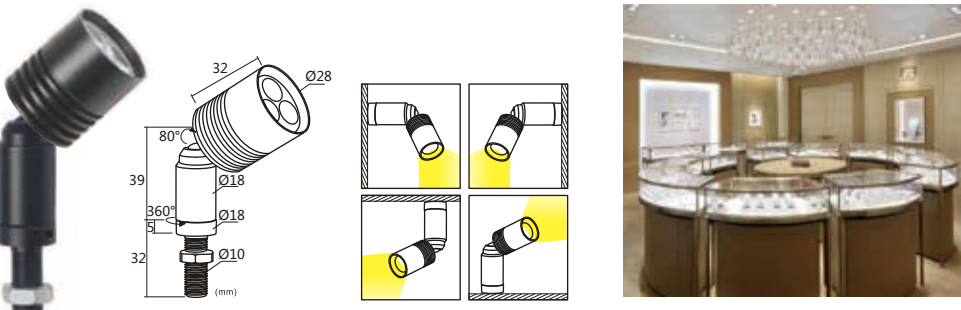
**LS-202-1**

<b>OSRAM</b>	<b>DC 12V</b>	<b>1W CRI&gt;80</b>	<b>100-120 LM</b>	3000/4000K 6000/8000K	10°	25°	45°	60°
--------------	---------------	---------------------	-------------------	--------------------------	-----	-----	-----	-----



**LS-202-2**

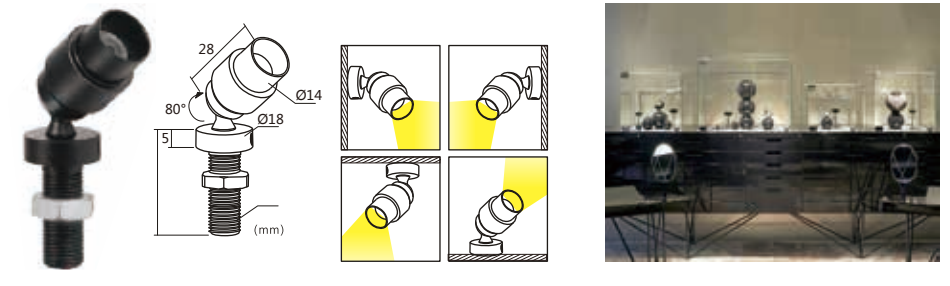
<b>OSRAM</b>	<b>DC 12V</b>	<b>2W CRI&gt;80</b>	<b>120-180 LM</b>	3000/4000K 6000/8000K	10°	25°	45°	60°
--------------	---------------	---------------------	-------------------	--------------------------	-----	-----	-----	-----



**LS-202-3**

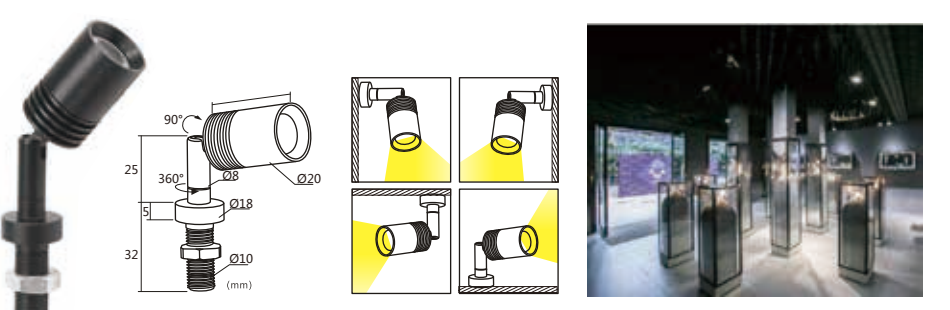
<b>OSRAM</b>	<b>DC 12V</b>	<b>3W CRI&gt;80</b>	<b>300-390 LM</b>	3000/4000K 6000/8000K	15°	30°	60°
--------------	---------------	---------------------	-------------------	--------------------------	-----	-----	-----

# LED CABINET LIGHT SERIES



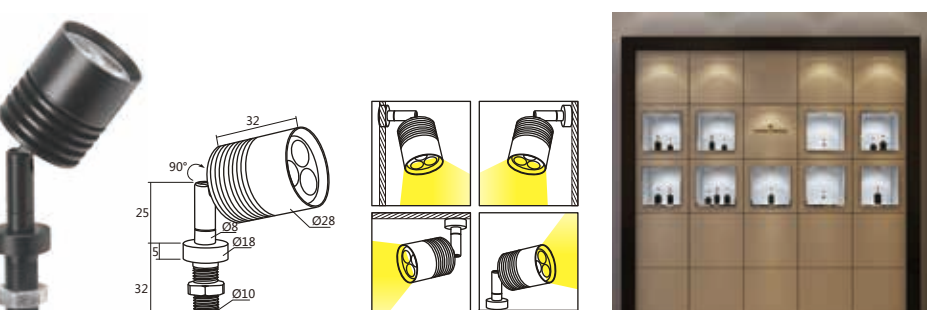
**LS-203-1**

<b>OSRAM</b>	<b>AC 85-265V</b>	<b>1W CRI&gt;80</b>	<b>100-120 LM</b>	3000/4000K 6000/8000K	10mm	10°	25°	45°	60°
--------------	-------------------	---------------------	-------------------	--------------------------	------	-----	-----	-----	-----



**LS-203-2**

<b>OSRAM</b>	<b>AC 85-265V</b>	<b>2W CRI&gt;80</b>	<b>120-180 LM</b>	3000/4000K 6000/8000K	10mm	15°	30°	60°
--------------	-------------------	---------------------	-------------------	--------------------------	------	-----	-----	-----



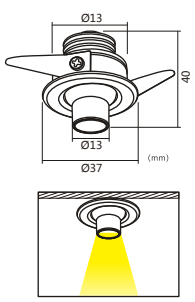
**LS-203-3**

<b>OSRAM</b>	<b>DC 12/24V</b>	<b>3W CRI&gt;80</b>	<b>300-390 LM</b>	3000/4000K 6000/8000K	10mm	15°	30°	60°
--------------	------------------	---------------------	-------------------	--------------------------	------	-----	-----	-----

# LED CABINET LIGHT SERIES



Customizable 2-6 Bulleye Lamps with a Power Belt

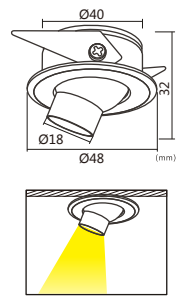


**LS-206**

<b>OSRAM</b>	<b>AC 85-265V</b>	<b>2W CRI&gt;80</b>	<b>150-200 LM</b>	3000/4000K 6000/8000K	32mm	10°	25°	45°	60°
--------------	-------------------	---------------------	-------------------	--------------------------	------	-----	-----	-----	-----



Customizable 2-6 Bulleye Lamps with a Power Belt

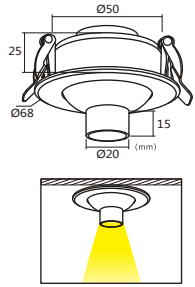


**LS-207**

<b>OSRAM</b>	<b>AC 85-265V</b>	<b>3W CRI&gt;80</b>	<b>150-200 LM</b>	3000/4000K 6000/8000K	40mm	10°	25°	45°	60°
--------------	-------------------	---------------------	-------------------	--------------------------	------	-----	-----	-----	-----



Customizable 2-6 Bulleye Lamps with a Power Belt



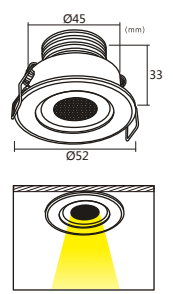
**LS-207B**

<b>CREE</b>	<b>AC 85-265V</b>	<b>5W CRI&gt;80</b>	<b>450-500 LM</b>	3000/4000K 6000/8000K	50mm	10°	25°	45°	60°
-------------	-------------------	---------------------	-------------------	--------------------------	------	-----	-----	-----	-----

# LED CABINET LIGHT SERIES



Customizable 2-6 Bulleye Lamps with a Power Belt

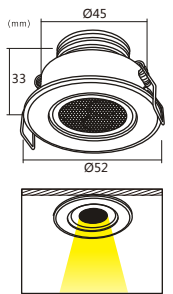


**LS-208-1**

<b>OSRAM</b>	<b>AC 85-265V</b>	<b>3W CRI&gt;80</b>	<b>150-200 LM</b>	3000/4000K 6000/8000K	42mm	10°	25°	45°	60°
--------------	-------------------	---------------------	-------------------	--------------------------	------	-----	-----	-----	-----



Customizable 2-6 Bulleye Lamps with a Power Belt

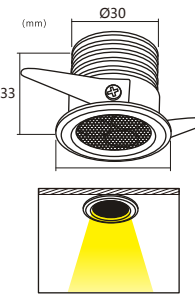


**LS-208-2**

<b>OSRAM</b>	<b>AC 85-265V</b>	<b>3W CRI&gt;80</b>	<b>300-390 LM</b>	3000/4000K 6000/8000K	42mm	15°	30°	60°
--------------	-------------------	---------------------	-------------------	--------------------------	------	-----	-----	-----



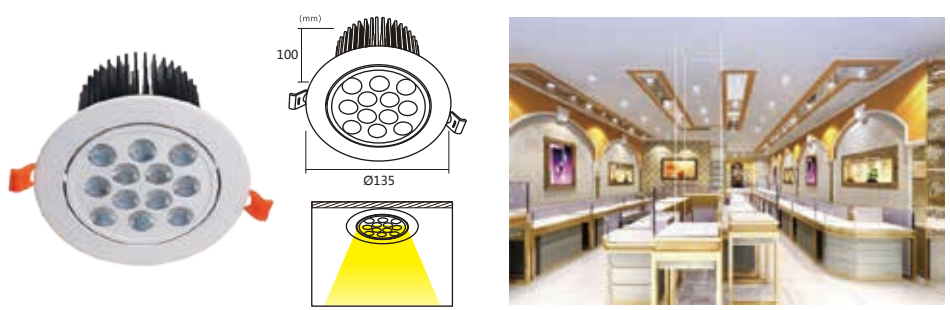
Customizable 2-6 Bulleye Lamps with a Power Belt



**LS-209**

<b>OSRAM</b>	<b>AC 85-265V</b>	<b>3W CRI&gt;80</b>	<b>300-390 LM</b>	3000/4000K 6000/8000K	30mm	15°	30°	60°
--------------	-------------------	---------------------	-------------------	--------------------------	------	-----	-----	-----

# LED CABINET LIGHT SERIES

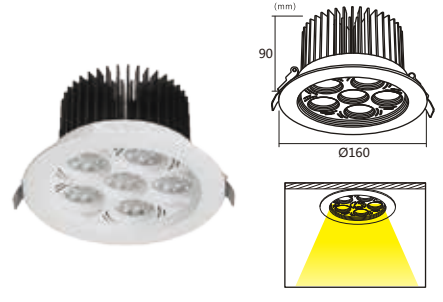


**LS-215**

<b>OSRAM</b>	<b>AC 85-265V</b>	<b>24W CRI&gt;80</b>	<b>1500-1800 LM</b>	3000/4000K 6000/8000K	120mm	10°	25°	45°	60°
--------------	-------------------	----------------------	---------------------	--------------------------	-------	-----	-----	-----	-----

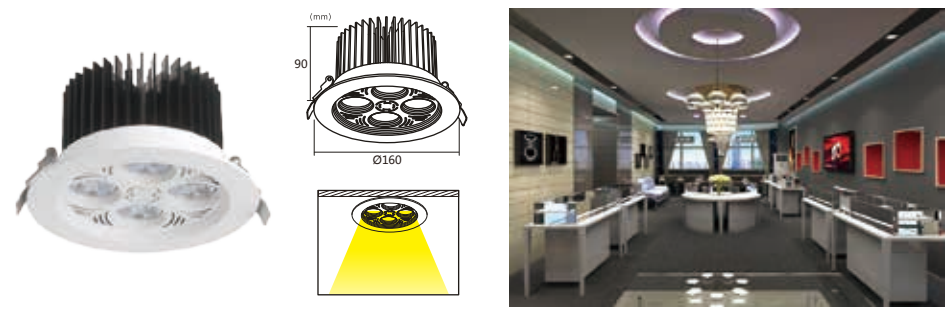


# LED CABINET LIGHT SERIES



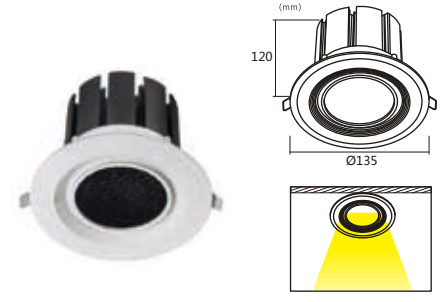
**LS-206-3**

<b>OSRAM</b>	<b>AC 85-265V</b>	<b>36W CRI&gt;80</b>	<b>3600 LM</b>	3000/4000K 6000/8000K	140mm	15°	30°	60°
--------------	-------------------	----------------------	----------------	--------------------------	-------	-----	-----	-----



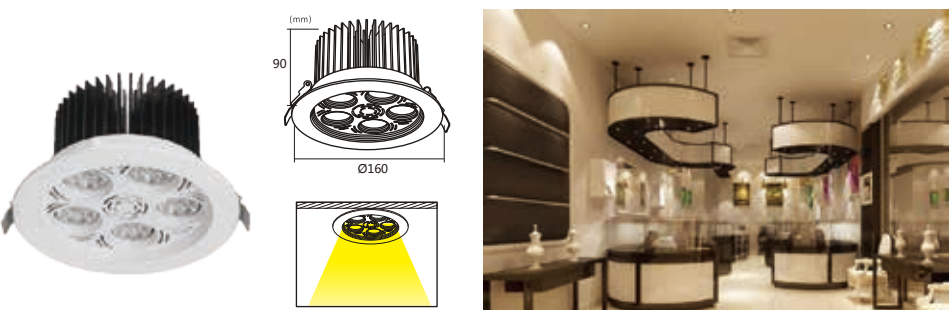
**LS-216**

<b>OSRAM</b>	<b>AC 85-265V</b>	<b>32W CRI&gt;80</b>	<b>1800-2400 LM</b>	3000/4000K 6000/8000K	140mm	15°	30°	60°
--------------	-------------------	----------------------	---------------------	--------------------------	-------	-----	-----	-----



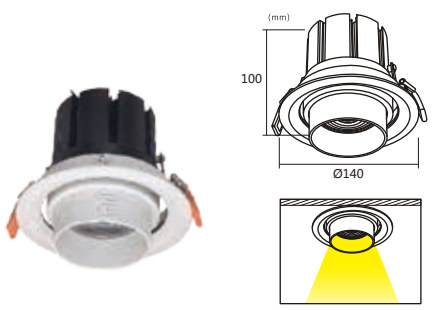
**LS-218**

<b>CREE</b>	<b>AC 85-265V</b>	<b>30W CRI&gt;80</b>	<b>2000-3200 LM</b>	3000/4000K 6000/8000K	120mm	25°	45°
-------------	-------------------	----------------------	---------------------	--------------------------	-------	-----	-----



**LS-216-2**

<b>OSRAM</b>	<b>AC 85-265V</b>	<b>30W CRI&gt;80</b>	<b>3000 LM</b>	3000/4000K 6000/8000K	140mm	15°	30°	60°
--------------	-------------------	----------------------	----------------	--------------------------	-------	-----	-----	-----

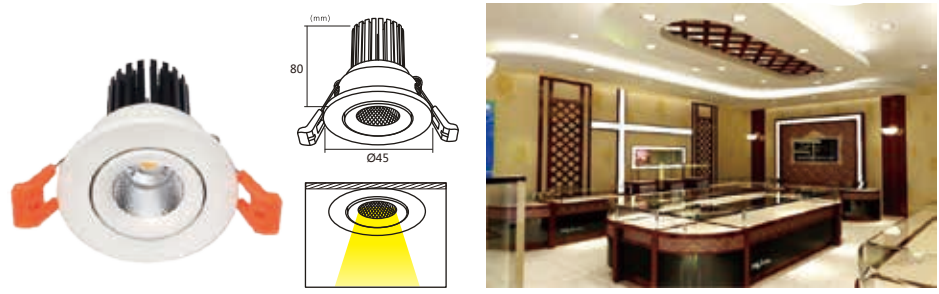


**LS-321**

<b>CREE</b>	<b>AC 85-265V</b>	<b>30W CRI&gt;80</b>	<b>1800-2400 LM</b>	3000/4000K 6000/8000K	120mm	15°-60°
-------------	-------------------	----------------------	---------------------	--------------------------	-------	---------

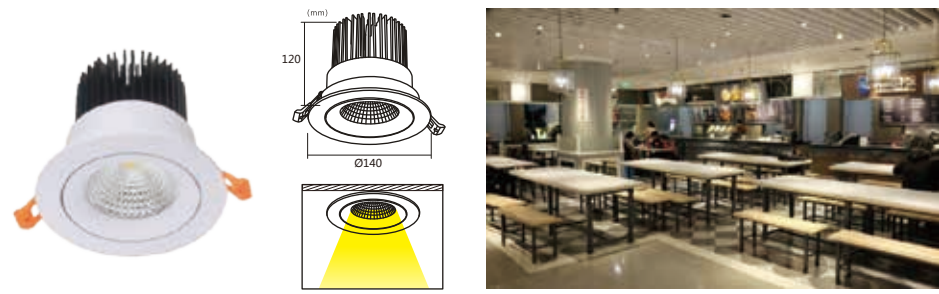


# LED CABINET LIGHT SERIES



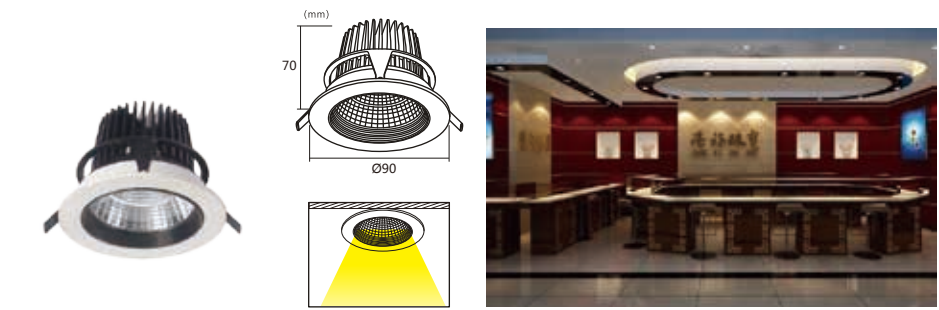
**LS-322**

	AC 85-265V	5W CRI>80	400-550 LM	3000/4000K 6000/8000K	140mm	24°	38°
--	------------	--------------	---------------	--------------------------	-------	-----	-----



**LS-322-2**

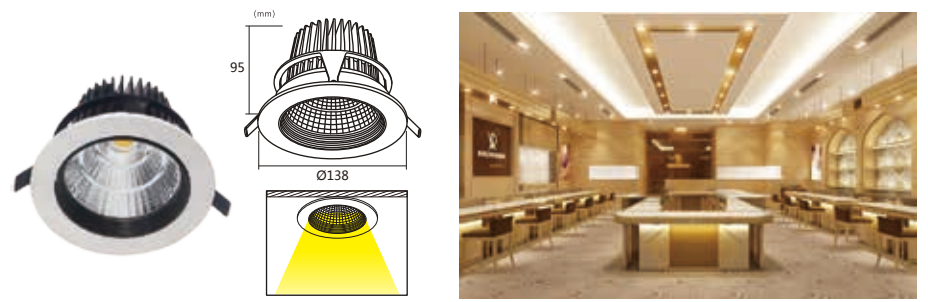
	AC 85-265V	35W CRI>80	3000-4200 LM	3000/4000K 6000/8000K	140mm	24°	38°
--	------------	---------------	-----------------	--------------------------	-------	-----	-----



**LS-323**

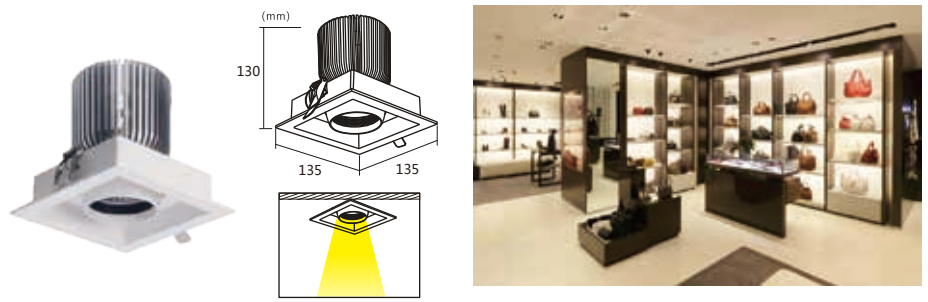
	AC 85-265V	5W CRI>80	400-550 LM	3000/4000K 6000/8000K	70mm	24°	38°
--	------------	--------------	---------------	--------------------------	------	-----	-----

# LED CABINET LIGHT SERIES



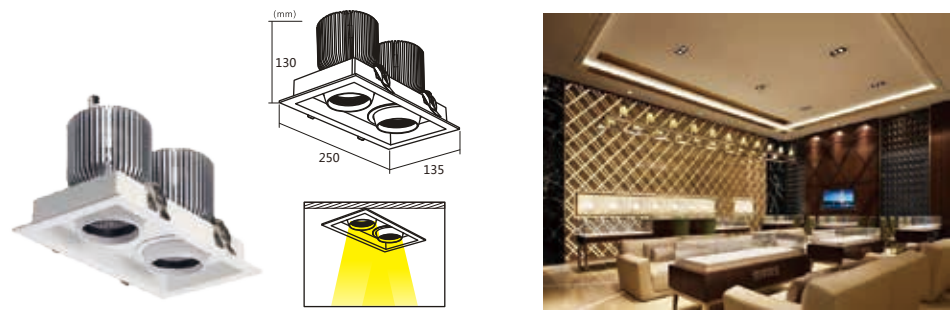
**LS-323-2**

	AC 85-265V	30W CRI>80	3000-4200 LM	3000/4000K 6000/8000K	140mm	24°	38°
--	------------	---------------	-----------------	--------------------------	-------	-----	-----



**LS-219**

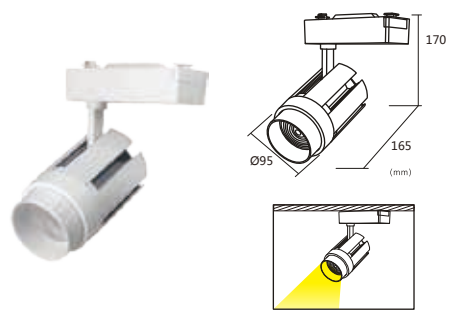
	AC 85-265V	30W CRI>80	1800-2400 LM	3000/4000K 6000/8000K	120X120mm	25°	45°
--	------------	---------------	-----------------	--------------------------	-----------	-----	-----



**LS-219-2**

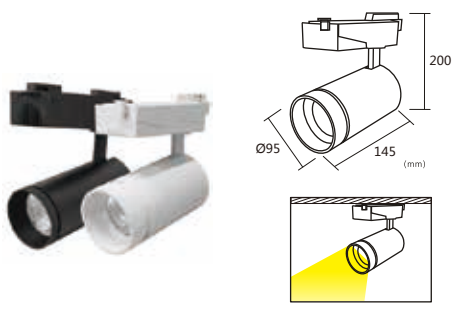
	AC 85-265V	60W CRI>80	3600-4500 LM	3000/4000K 6000/8000K	120X220mm	25°	45°
--	------------	---------------	-----------------	--------------------------	-----------	-----	-----

# LED CABINET LIGHT SERIES



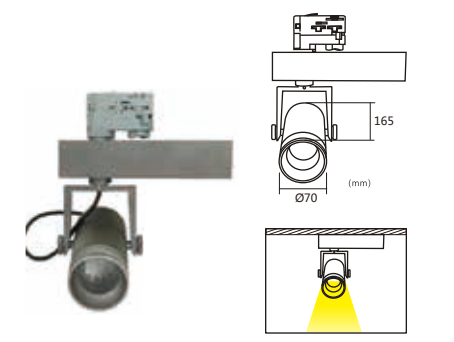
LS-331

<b>CREE</b>	AC <b>85-265V</b>	<b>30W</b> CRI>80	<b>3000-4200</b> LM	3000/4000K 6000/8000K	15°-60°
-------------	----------------------	----------------------	------------------------	--------------------------	---------



LS-332

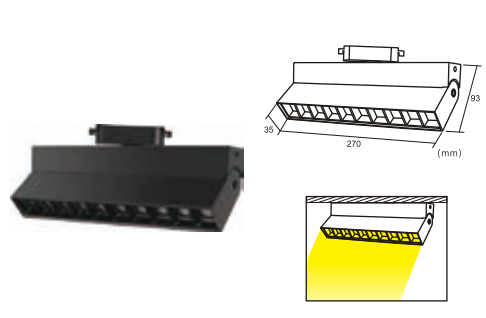
<b>CREE</b>	AC <b>85-265V</b>	<b>30W</b> CRI>80	<b>3000-4200</b> LM	3000/4000K 6000/8000K	24° 38°
-------------	----------------------	----------------------	------------------------	--------------------------	---------



LS-333

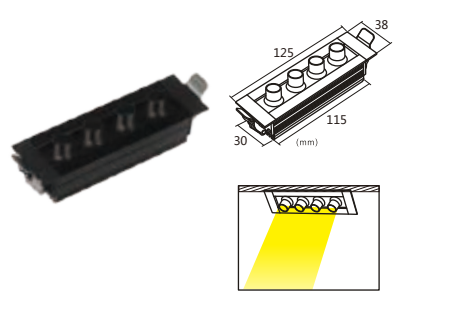
<b>CREE</b>	AC <b>85-265V</b>	<b>30W</b> CRI>80	<b>3000-4200</b> LM	3000/4000K 6000/8000K	15°-60°
-------------	----------------------	----------------------	------------------------	--------------------------	---------

# LED CABINET LIGHT SERIES



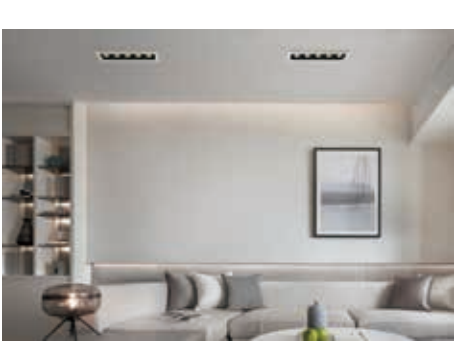
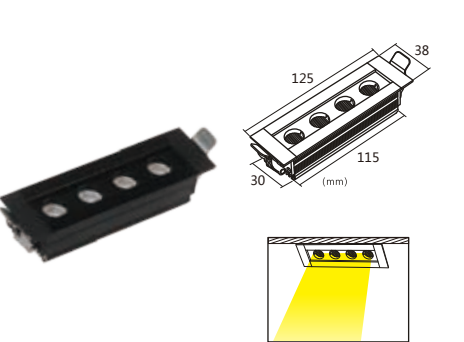
LS-334

<b>OSRAM</b>	AC <b>85-265V</b>	<b>30W</b> CRI>80	<b>3000-4200</b> LM	3000/4000K 6000/8000K	24° 38°
--------------	----------------------	----------------------	------------------------	--------------------------	---------



LS-220

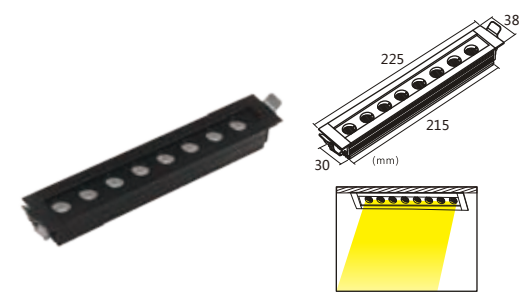
<b>OSRAM</b>	AC <b>85-265V</b>	<b>8W</b> CRI>80	<b>500-650</b> LM	3000/4000K 6000/8000K	30X115mm	15° 30° 60°
--------------	----------------------	---------------------	----------------------	--------------------------	----------	-------------



LS-221

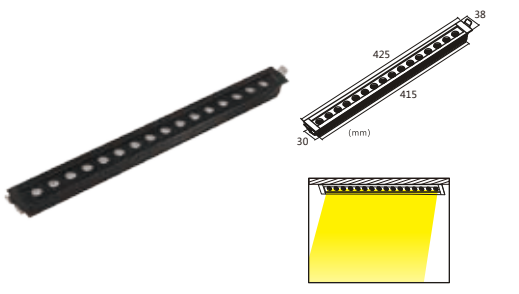
<b>OSRAM</b>	AC <b>85-265V</b>	<b>8W</b> CRI>80	<b>500-650</b> LM	3000/4000K 6000/8000K	30X115mm	15° 30° 60°
--------------	----------------------	---------------------	----------------------	--------------------------	----------	-------------

# LED CABINET LIGHT SERIES



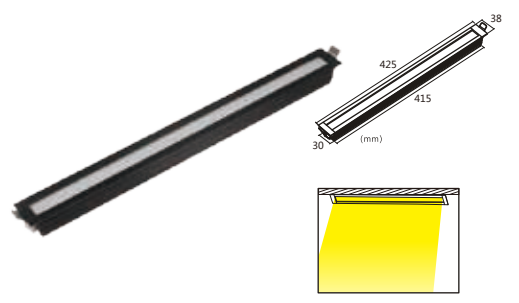
**LS-222**

<b>OSRAM</b>	<b>AC 85-265V</b>	<b>16W CRI&gt;80</b>	<b>900-1300 LM</b>	3000/4000K 6000/8000K	30X215mm	15°	30°	60°
--------------	-------------------	----------------------	--------------------	--------------------------	----------	-----	-----	-----



**LS-223**

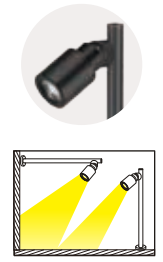
<b>OSRAM</b>	<b>AC 85-265V</b>	<b>32W CRI&gt;80</b>	<b>1800-2600 LM</b>	3000/4000K 6000/8000K	30X415mm	15°	30°	60°
--------------	-------------------	----------------------	---------------------	--------------------------	----------	-----	-----	-----



**LS-223-2**

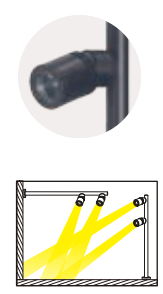
<b>OSRAM</b>	<b>AC 85-265V</b>	<b>25W CRI&gt;80</b>	<b>1800-2600 LM</b>	3000/4000K 6000/8000K	30X415mm	15°	30°	60°
--------------	-------------------	----------------------	---------------------	--------------------------	----------	-----	-----	-----

# LED CABINET LIGHT SERIES



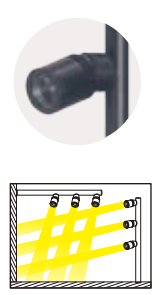
**LS-230**

<b>OSRAM</b>	<b>DC 12/24V</b>	<b>3W CRI&gt;80</b>	<b>120-200 LM</b>	3000/4000K 6000/8000K	8mm	8°-60°
--------------	------------------	---------------------	-------------------	--------------------------	-----	--------



**LS-236**

<b>OSRAM</b>	<b>AC 85-265V</b>	<b>2W CRI&gt;80</b>	<b>220-280 LM</b>	3000/4000K 6000/8000K	8mm	25°	45°
--------------	-------------------	---------------------	-------------------	--------------------------	-----	-----	-----

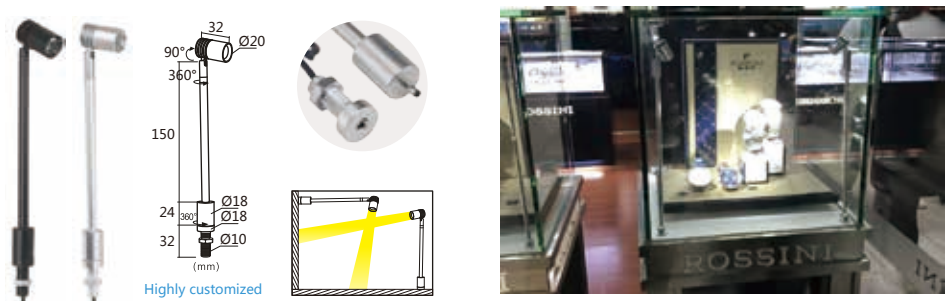


**LS-237**

<b>OSRAM</b>	<b>AC 85-265V</b>	<b>3W CRI&gt;80</b>	<b>300-390 LM</b>	3000/4000K 6000/8000K	8mm	25°	45°
--------------	-------------------	---------------------	-------------------	--------------------------	-----	-----	-----

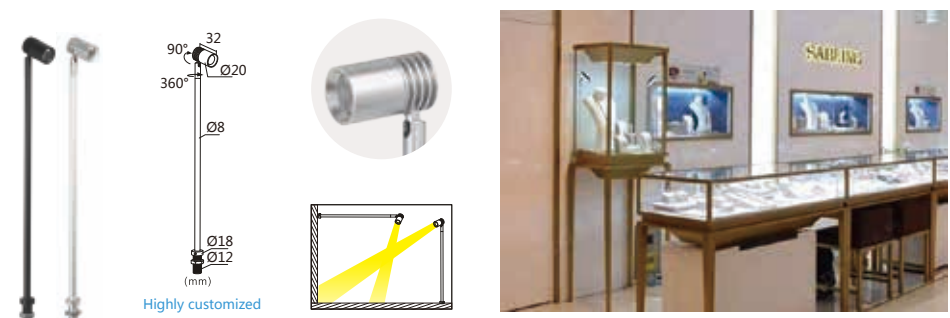


# LED CABINET LIGHT SERIES



**LS-250**

OSRAM	DC 12V	3W CRI>80	120-180 LM	3000/4000K 6000/8000K	10mm	10°	25°	45°	60°
-------	--------	-----------	------------	--------------------------	------	-----	-----	-----	-----



**LS-251**

OSRAM	AC 85-265V	3W CRI>80	120-180 LM	3000/4000K 6000/8000K	12mm	10°	25°	45°	60°
-------	------------	-----------	------------	--------------------------	------	-----	-----	-----	-----



**LS-253**

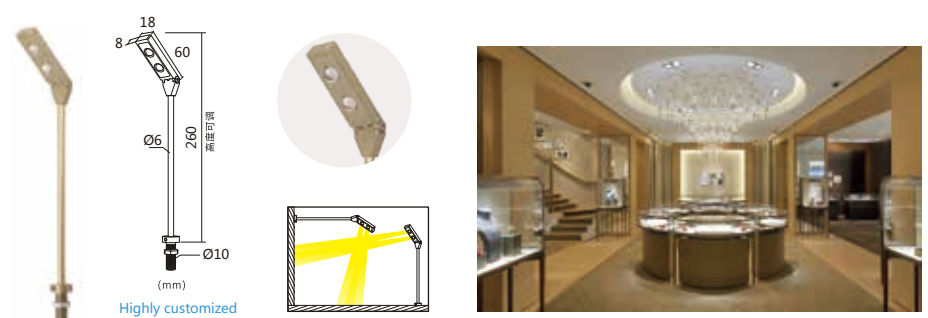
OSRAM	DC 12/24V	AC 85-265V	3W CRI>80	300-390 LM	3000/4000K 6000/8000K	10mm	25°	45°
-------	-----------	------------	-----------	------------	--------------------------	------	-----	-----

# LED CABINET LIGHT SERIES



**LS-2574**

CREE	AC 85-265V	4W CRI>80	320-480 LM	3000/4000K 6000/8000K	10mm	45°	60°
------	------------	-----------	------------	--------------------------	------	-----	-----



**LS-2575**

OSRAM	AC 85-265V	2W CRI>80	220-280 LM	3000/4000K 6000/8000K	10mm	25°	45°	60°
-------	------------	-----------	------------	--------------------------	------	-----	-----	-----



**LS-2576**

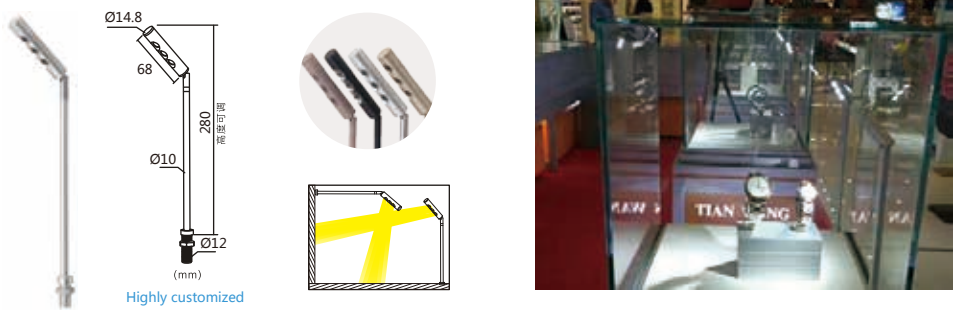
OSRAM	AC 85-265V	3W CRI>80	300-390 LM	3000/4000K 6000/8000K	10mm	60°
-------	------------	-----------	------------	--------------------------	------	-----

# LED CABINET LIGHT SERIES



**LS-2577**

<b>OSRAM</b>	<b>AC 85-265V</b>	<b>3W CRI&gt;80</b>	<b>300-390 LM</b>	3000/4000K 6000/8000K	10mm	25°	45°	60°
--------------	-------------------	---------------------	-------------------	--------------------------	------	-----	-----	-----



**LS-2578**

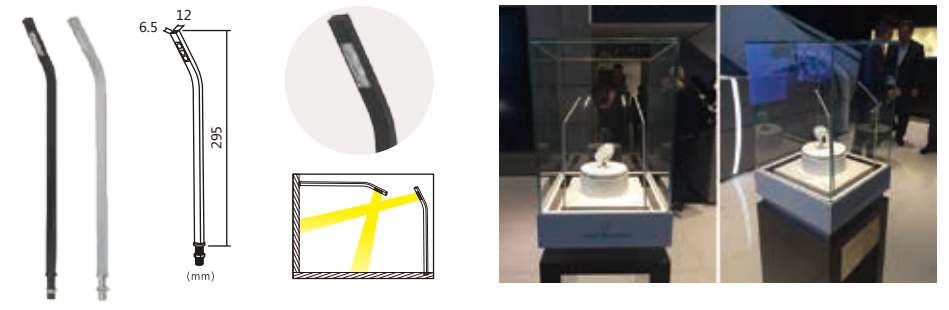
<b>OSRAM</b>	<b>AC 85-265V</b>	<b>3W CRI&gt;80</b>	<b>300-390 LM</b>	3000/4000K 6000/8000K	12mm	25°	45°	60°
--------------	-------------------	---------------------	-------------------	--------------------------	------	-----	-----	-----



**LS-2579**

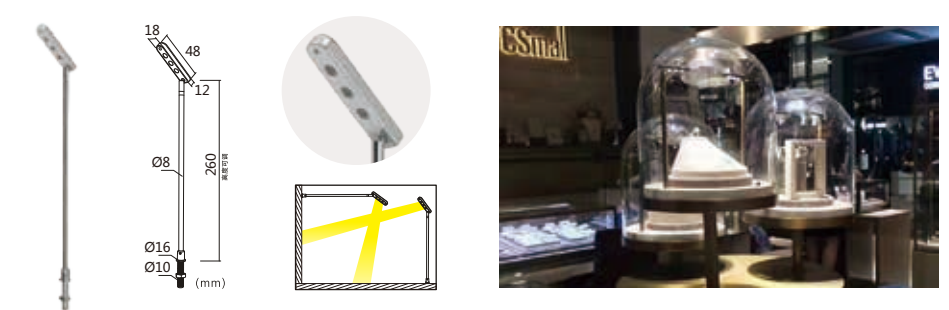
<b>OSRAM</b>	<b>AC 85-265V</b>	<b>3W CRI&gt;80</b>	<b>300-390 LM</b>	3000/4000K 6000/8000K	12mm	60°		
--------------	-------------------	---------------------	-------------------	--------------------------	------	-----	--	--

# LED CABINET LIGHT SERIES



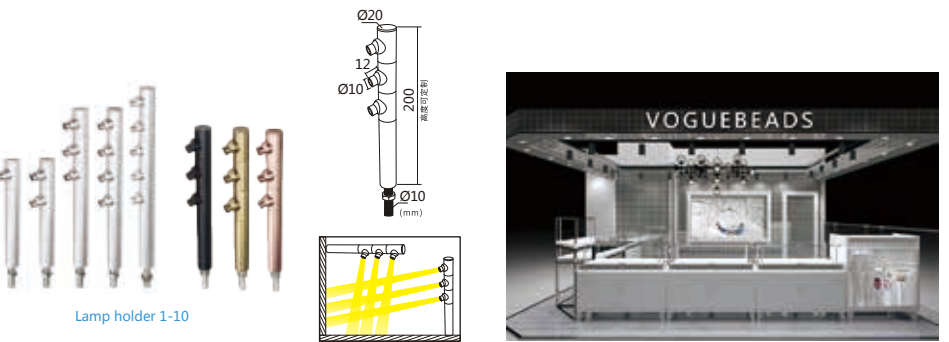
**LS-258**

<b>OSRAM</b>	<b>DC 12/24V</b>	<b>AC 85-265V</b>	<b>3W CRI&gt;80</b>	<b>300-390 LM</b>	3000/4000K 6000/8000K	10mm	30°	
--------------	------------------	-------------------	---------------------	-------------------	--------------------------	------	-----	--



**LS-259**

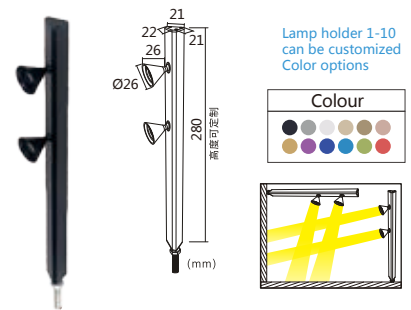
<b>OSRAM</b>	<b>AC 85-265V</b>	<b>3W CRI&gt;80</b>	<b>300-390 LM</b>	3000/4000K 6000/8000K	10mm	30°		
--------------	-------------------	---------------------	-------------------	--------------------------	------	-----	--	--



**LS-261-1/2/3/4/5**

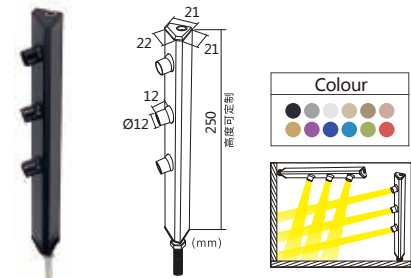
<b>AC 85-265V</b>	<b>1-5W CRI&gt;80</b>	<b>100/W LM</b>	3000/4000K 6000/8000K	10mm	25°	45°	60°	
-------------------	-----------------------	-----------------	--------------------------	------	-----	-----	-----	--

# LED CABINET LIGHT SERIES



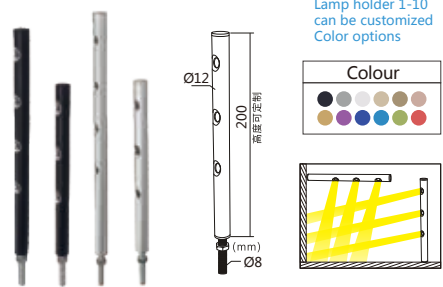
**LS-268-1/2/3/4/5**

DC 12/24V	AC 85-265V	1-5W CRI>80	110W LM	3000/4000K 6000/8000K	8mm	25°	45°	60°
--------------	---------------	----------------	------------	--------------------------	-----	-----	-----	-----



**LS-269-1/2/3/4/5**

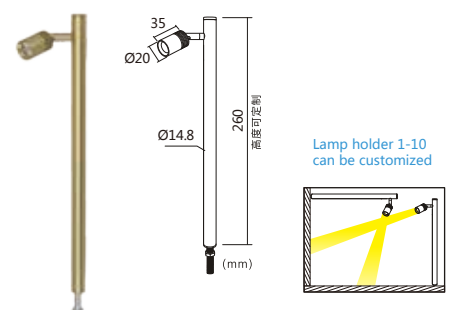
DC 12/24V	AC 85-265V	1-5W CRI>80	110W LM	3000/4000K 6000/8000K	8mm	25°	45°	60°
--------------	---------------	----------------	------------	--------------------------	-----	-----	-----	-----



**LS-270**

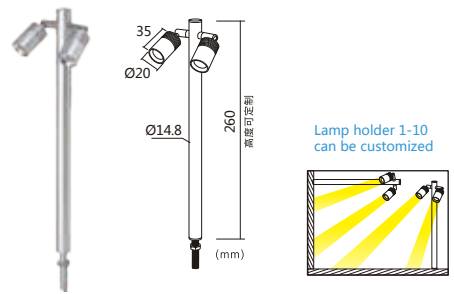
OSRAM	DC 12/24V	AC 85-265V	1-5W CRI>80	110W LM	3000/4000K 6000/8000K	8mm	25°	45°	60°
-------	--------------	---------------	----------------	------------	--------------------------	-----	-----	-----	-----

# LED CABINET LIGHT SERIES



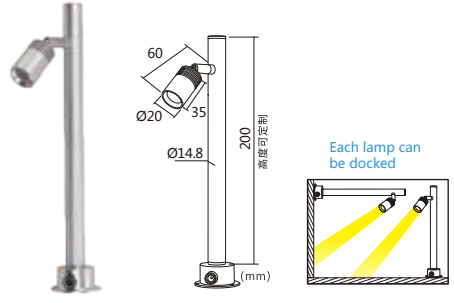
**LS-272**

DC 12/24V	AC 85-265V	3W CRI>80	120-180 LM	3000/4000K 6000/8000K	8mm	25°	45°	60°
--------------	---------------	--------------	---------------	--------------------------	-----	-----	-----	-----



**LS-272-2**

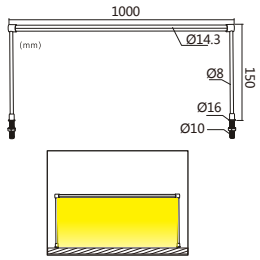
DC 12/24V	AC 85-265V	6W CRI>80	240-350 LM	3000/4000K 6000/8000K	8mm	25°	45°	60°
--------------	---------------	--------------	---------------	--------------------------	-----	-----	-----	-----



**LS-273**

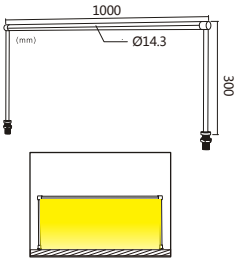
DC 12/24V	3W CRI>80	120-180 LM	3000/4000K 6000/8000K	8mm	25°	45°	60°
--------------	--------------	---------------	--------------------------	-----	-----	-----	-----

# LED CABINET LIGHT SERIES



**LS-619**

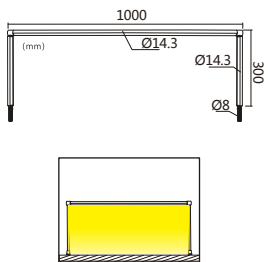
<p>Colour</p>	<p>DC 12V</p>	<p>18W CRI&gt;80</p>	<p>1500 LM</p>	<p>3000/4000K 6000/8000K</p>	10mm	120°
---------------	---------------	--------------------------	----------------	----------------------------------	------	------



Lamp holder 1-10 can be customized  
Color options

**LS-619B**

<p>Colour</p>	<p>DC 12V</p>	<p>18W CRI&gt;80</p>	<p>1500 LM</p>	<p>3000/4000K 6000/8000K</p>	12mm	120°
---------------	---------------	--------------------------	----------------	----------------------------------	------	------

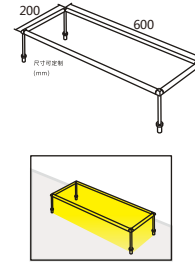


Lamp holder 1-10 can be customized  
Color options

**LS-619C**

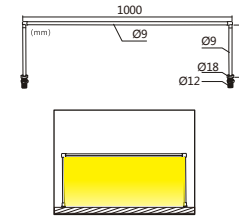
<p>Colour</p>	<p>DC 12V</p>	<p>18W CRI&gt;80</p>	<p>1500 LM</p>	<p>3000/4000K 6000/8000K</p>	8mm	120°
---------------	---------------	--------------------------	----------------	----------------------------------	-----	------

# LED CABINET LIGHT SERIES



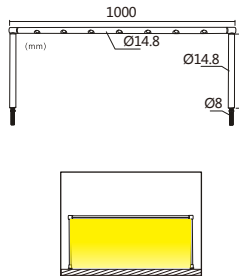
**LS-619D**

<p>Colour</p>	<p>DC 12V</p>	<p>18W CRI&gt;80</p>	<p>1500 LM</p>	<p>3000/4000K 6000/8000K</p>	12mm	120°
---------------	---------------	--------------------------	----------------	----------------------------------	------	------



**LS-621**

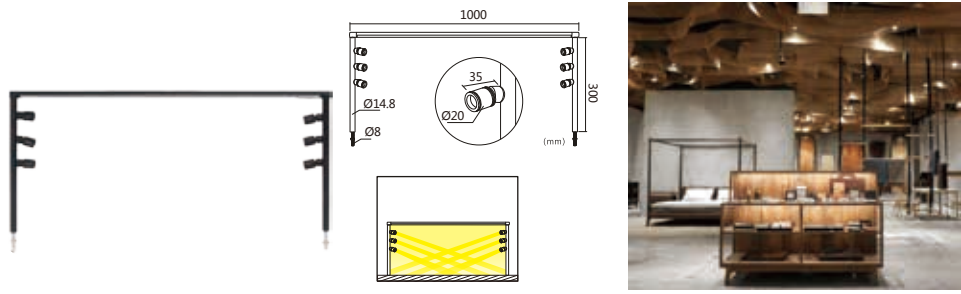
OSRAM	DC 12V	AC 85-265V	12W CRI>80	1200 LM	3000/4000K 6000/8000K	12mm	60°	90°	120°
-------	--------	------------	---------------	---------	--------------------------	------	-----	-----	------



**LS-622**

OSRAM	DC 24V	AC 85-265V	14W CRI>80	1400-1680 LM	3000/4000K 6000/8000K	8mm	60°
-------	--------	------------	---------------	--------------	--------------------------	-----	-----

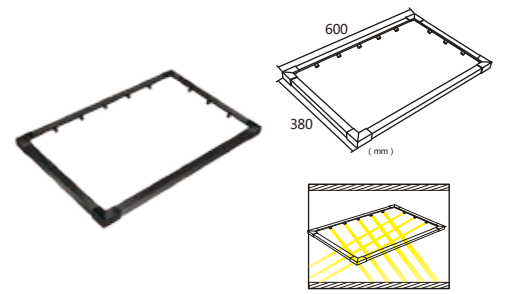
# LED CABINET LIGHT SERIES



**LS-623**

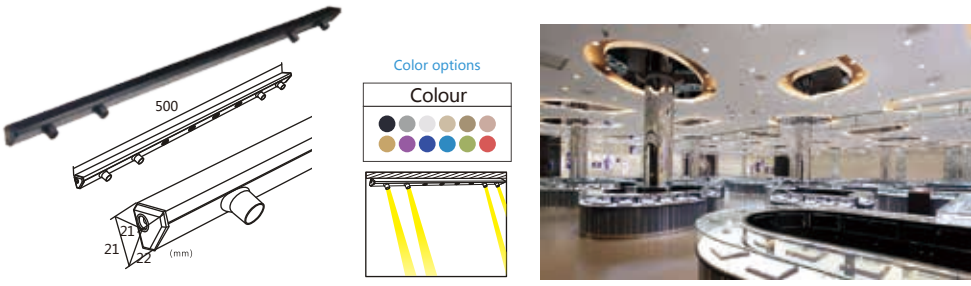
OSRAM	DC 12V	AC 85-265V	24W CRI>80	110 LM	3000/4000K 6000/8000K	8mm	30°	120°
-------	--------	------------	------------	--------	--------------------------	-----	-----	------

# LED CABINET LIGHT SERIES



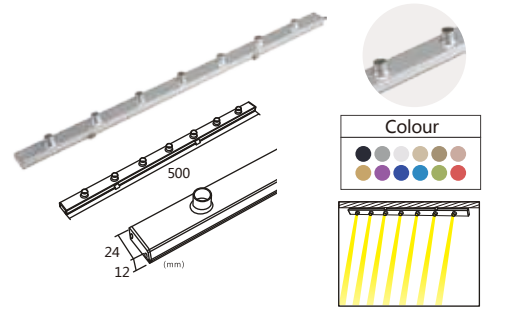
**LS-630-8/9...20**

OSRAM	DC 24V	AC 85-265V	8-20W CRI>80	110W LM	3000/4000K 6000/8000K		25°	45°	60°
-------	--------	------------	--------------	---------	--------------------------	--	-----	-----	-----



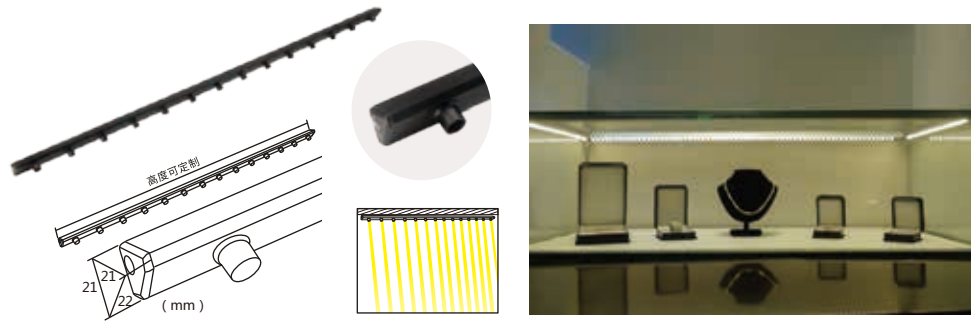
**LS-630**

OSRAM	DC 12/24V	AC 85-265V	8W CRI>80	110W LM	3000/4000K 6000/8000K		25°	45°	60°
-------	-----------	------------	-----------	---------	--------------------------	--	-----	-----	-----



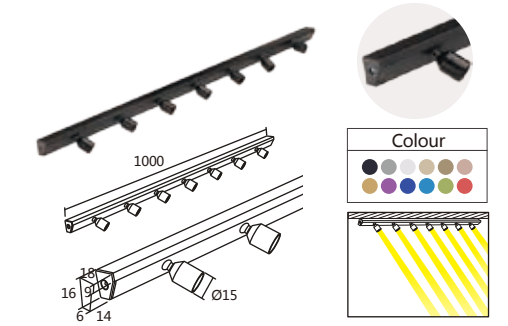
**LS-631-8/9...20**

OSRAM	DC 24V	AC 85-265V	8-20W CRI>80	110W LM	3000/4000K 6000/8000K		25°	45°	60°
-------	--------	------------	--------------	---------	--------------------------	--	-----	-----	-----



**LS-630-8/9...20**

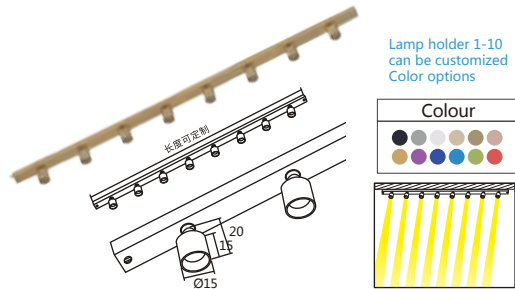
OSRAM	DC 12/24V	AC 85-265V	8-20W CRI>80	110W LM	3000/4000K 6000/8000K		25°	45°	60°
-------	-----------	------------	--------------	---------	--------------------------	--	-----	-----	-----



**LS-633-4/5/6/7**

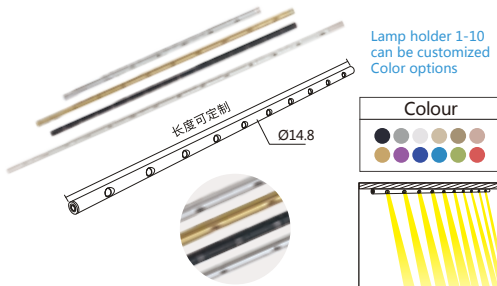
OSRAM	DC 24V	AC 85-265V	4-7W CRI>80	110W LM	3000/4000K 6000/8000K		25°	45°	60°
-------	--------	------------	-------------	---------	--------------------------	--	-----	-----	-----

# LED CABINET LIGHT SERIES



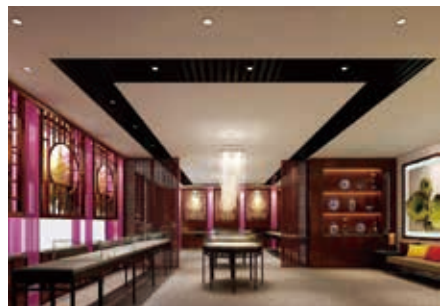
LS-633-8/9...20

OSRAM	DC 24V	AC 85-265V	8-20W CRI>80	110W LM	3000/4000K 6000/8000K	25°	45°	60°
-------	--------	------------	--------------	---------	--------------------------	-----	-----	-----



LS-634

OSRAM	DC 24V	AC 85-265V	14W CRI>80	110W LM	3000/4000K 6000/8000K	25°	45°	60°
-------	--------	------------	------------	---------	--------------------------	-----	-----	-----



LS-635

OSRAM	AC 85-265V	20W CRI>80	1800 LM	3000/4000K 6000/8000K	150mm	15°	30°	60°
-------	------------	------------	---------	--------------------------	-------	-----	-----	-----

# LED CABINET LIGHT SERIES

LS-605



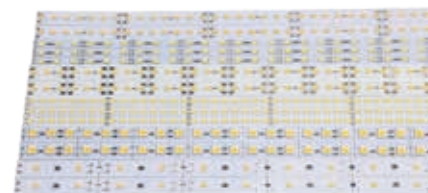
DC 24V	16W/M CRI>80	1200W LM	3000/4000K 6000/8000K	120°
--------	--------------	----------	--------------------------	------

LS-606



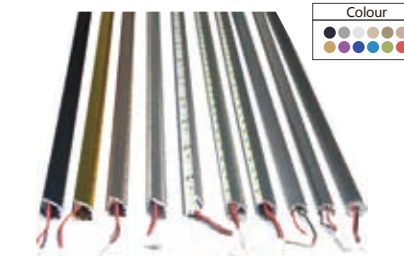
DC 24V	16W/M CRI>80	1200W LM	3000/4000K 6000/8000K	120°
--------	--------------	----------	--------------------------	------

LS-612



DC 24V	18W/M CRI>80	1500W LM	3000/4000K 6000/8000K	120°
--------	--------------	----------	--------------------------	------

LS-613



DC 24V	18W/M CRI>80	1500W LM	3000/4000K 6000/8000K	120°
--------	--------------	----------	--------------------------	------

